

Heavy Duty Manufacturing, Inc.



QUALITY EXHAUST COMPONENTS FOR THE HEAVY DUTY INDUSTRY



We have been in the aftermarket truck exhaust business for 30 years and take pride in supplying a quality product to the marketplace. Our success through the years can be attributed to giving our customers dependable service, excellent coverage, and quality products at a competitive price.

HOW TO USE THIS CATALOG

1. Part Numbering System

Example: 3-500-36CP

3= Stack Pipe	500=5"	36=36"	CP=Chrome Plated
Prefix denotes a certain type of part.	Middle numbers indicate the diameter of the part.	Numbers on the end tell the length of the part.	Letters denote the type of material.

2. The various materials that are available and how they are specified.

All parts are mild steel unless denoted by the proper letters on the end of the number:

A = Aluminized
CP = Chrome Plated
SS = Stainless Steel

3. Muffler Information

- Mufflers are categorized by style and listed in order by inlet size
- Muffler charts show inlet and outlet size, body length, overall length and body diameter
- Muffler cross reference list follows the muffler charts

WARRANTY

Accessories (Clamps, Elbows, etc)	.	.	30 Days
Chrome Plated Parts..	.	.	180 Days (Peeling, Rusting, Roughness)
Diesel Mufflers, Vertical Installations	.	.	4 Years or 500,000 miles
Diesel Mufflers, Horizontal Installations	.	.	3 Years or 500,000 miles

WARRANTY STATEMENT

Heavy Duty Manufacturing, Inc. warrants its products against failure due to defects in materials and workmanship for the period listed in the chart above for the particular part. **Heavy Duty Manufacturing's** obligation under this warranty covers replacement of the failed part including transportation charges. This warranty does not cover failure due to misapplication, neglect, abuse, or improper installation. In no event shall **Heavy Duty Manufacturing, Inc.** be liable for any consequential or incidental damages, including but not limited to loss of profit or revenues, loss of use of the exhaust product or any associated equipment, loss of capital, cost of substitute products, downtime costs, or claims of purchaser's customers for such damages regardless of whether such damages arises out of breach of contract, warranty, or tort (including negligence).

Heavy Duty Manufacturing, Inc.
1605 Indian Brook Way, Suite 500
Norcross, GA 30093
Phone: 800-241-0551
Fax: 770-806-8801



MANUFACTURING CAPABILITIES

With the recent addition of a Techno T50 CNC bender we now have mandrel bending capabilities from 2" OD to 5" OD. The materials that we work with include mild steel, aluminized steel, stainless steel and aluminum. We welcome the opportunity to work with you on any of your fabricating requirements.

BENDING We have four mandrel benders and a variety of tooling. The TUBE BENDING CAPABILITIES chart lists the various sizes of material that we work with as well as the radii available on each size.

CUTTING We use Marvel band saws to perform a variety of cutting and trimming operations.

END FINISHING We offer a wide range of end finishing operations. These include beading, flaring, reducing, expanding, drilling, flattening, notching and sizing.

METAL FINISHING Various finishes can be supplied at your request.

TUBE BENDING CAPABILITIES	
Tube Size (O.D.)	Center Line Radius
2"	2", 4"
2.25"	2.25", 3"
2.5"	2.5", 3", 5"
2.75"	2.75", 4", 5"
3"	3", 4", 6"
3.5"	4", 6"
4"	4", 5", 6", 8"
5"	6", 8"

MANUFACTURING CONTACTS		
George VanHorne	Engineering	gvanhorne@aol.com
Mike Fieser	Quality Control	mfieser@heavydutymfg.com
Jerry Stephens	Production Manager	jstephens@heavydutymfg.com
Sara Stettner	Expediting	sstettner@heavydutymfg.com

VISIT OUR WEBSITE AT WWW.HEAVYDUTYMFG.COM

TABLE OF CONTENTS

GENERAL INFORMATION	PAGE NO.
How To Use This Catalog	Inside Front Cover
Manufacturing Capabilities	
PARTS AND ACCESSORIES	
Stack Pipes	6-11
Special Stacks	12-13
Extended Stack Pipes	13
Dump Truck Turnouts	14
Dump Truck Stack Pipes	14
Muffler and Stack Cages	15
Muffler and Stack Cage Mounting Brackets	16
Stack Mounting Brackets	16
Grab Handles	16
Rain Cap	17
Silencer Rain Cap	17
Welded Tubing	18
45 Degree Elbows	18,21
Short Radius Elbows	19-23
90 Degree Elbows	24-25
Short Radius 90 Degree Elbows.	25
O.E.M. Parts	26-36
Universal Hangers	36
Stack Mounting Brackets for Kenworth & Peterbilt	37
"Y" Adaptors	37-39
O.E.M. Y Adaptors	38-39
Muffler Hangers	39
Flexible Tubing	40-41
Flexible Stack Connectors	42
Cut Lengths of Flex Tubing	42
U Clamps	43-44
Band Clamps	44-48
V-Clamps	49
Universal Ball Joints	49
Tilt Cab Bell Connectors	50
Tilt Cab Ball Connectors	50
Manifold Adaptors	50
Flared Connectors	51
Beaded Adaptor	52
Manifold Flange.	52
Reducers	52-53
Connector Ends.	54
Couplers	54-55
90 Degree Rubber Elbows	55
45 Degree Rubber Elbows	56
Hump Hose	56
Rubber Reducers	57
Air Inlet Clamp	57
Lined Hose Clamps	58
Constant Torque Clamps	59
High Torque Clamps	59
Rubber Inlet Sleeve	60
Special Reducing 90 Degree Rubber Elbows.	60
Air Hoods	61
Aluminum Intake Tubing	61

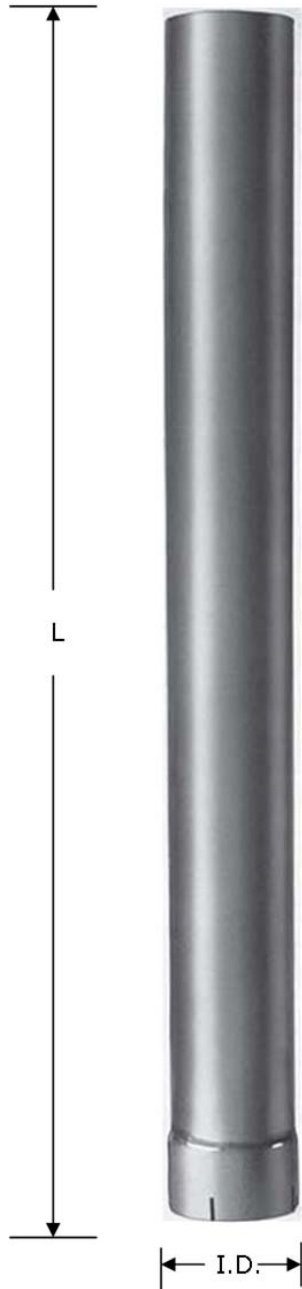
TABLE OF CONTENTS

	PAGE NO.
1-Ply Silicone Heater Hose	62
3-Ply Silicone Coolant Hose	63
Silicone Charge Air Cooler Hose (CAC)..	64
Mufflers	65-78
CROSS REFERENCE	
Muffler Cross Reference List	79-80

STACK PIPES

I.D. END (FLARED - SQUARE CUT)

Available in cut lengths up to 120" and diameters 3" to 6" in plain, aluminized or CHROME plated.



I.D. COLD ROLLED PART NUMBER	I.D. ALUMINIZED PART NUMBER	I.D. CHROME PLATED PART NUMBER	INSIDE DIAMETER	LENGTH IN INCHES
1-300-18	1-300-18A	1-300-18CP	3	18
1-300-24	1-300-24A	1-300-24CP	3	24
1-300-36	1-300-36A	1-300-36CP	3	36
1-300-48	1-300-48A	1-300-48CP	3	48
1-300-60	1-300-60A	1-300-60CP	3	60
1-300-72	1-300-72A	1-300-72CP	3	72
1-300-84	1-300-84A	1-300-84CP	3	84
1-300-96	1-300-96A	1-300-96CP	3	96
1-350-18	1-350-18A	1-350-18CP	3.5	18
1-350-24	1-350-24A	1-350-24CP	3.5	24
1-350-36	1-350-36A	1-350-36CP	3.5	36
1-350-48	1-350-48A	1-350-48CP	3.5	48
1-350-60	1-350-60A	1-350-60CP	3.5	60
1-350-72	1-350-72A	1-350-72CP	3.5	72
1-350-84	1-350-84A	1-350-84CP	3.5	84
1-350-96	1-350-96A	1-350-96CP	3.5	96
1-400-18	1-400-18A	1-400-18CP	4	18
1-400-24	1-400-24A	1-400-24CP	4	24
1-400-36	1-400-36A	1-400-36CP	4	36
1-400-48	1-400-48A	1-400-48CP	4	48
1-400-60	1-400-60A	1-400-60CP	4	60
1-400-72	1-400-72A	1-400-72CP	4	72
1-400-84	1-400-84A	1-400-84CP	4	84
1-400-96	1-400-96A	1-400-96CP	4	96
1-400-108	1-400-108A	1-400-108CP	4	108
1-500-18	1-500-18A	1-500-18CP	5	18
1-500-24	1-500-24A	1-500-24CP	5	24
1-500-36	1-500-36A	1-500-36CP	5	36
1-500-48	1-500-48A	1-500-48CP	5	48
1-500-60	1-500-60A	1-500-60CP	5	60
1-500-72	1-500-72A	1-500-72CP	5	72
1-500-84	1-500-84A	1-500-84CP	5	84
1-500-96	1-500-96A	1-500-96CP	5	96
1-500-108	1-500-108A	1-500-108CP	5	108
		1-605-48SQCP	5 ID X 6	48
		1-605-60SQCP	5 ID X 6	60
		1-605-84SQCP	5 ID X 6	84
		1-605-96SQCP	5 ID X 6	96
		1-605-108SQCP	5 ID X 6	108
		1-605-120SQCP	5 ID X 6	120

Heavy Duty Manufacturing, Inc.

Parts and Accessories

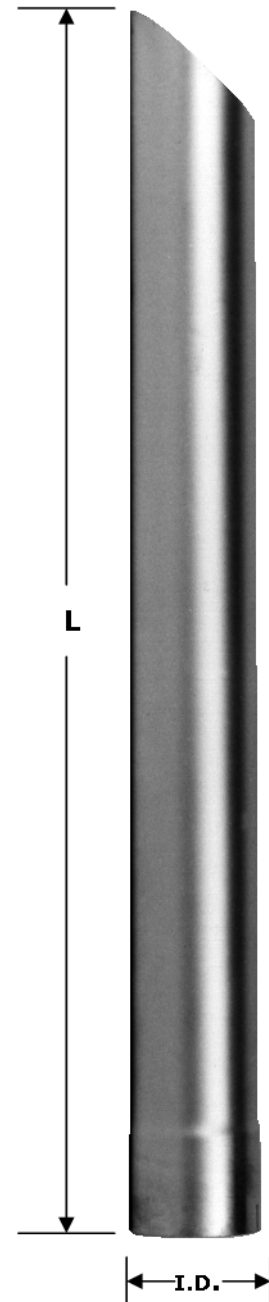


STACK PIPES

I.D. END (FLARED - ANGLE CUT)

Available in cut lengths up to 120" and diameters 3" to 6" in plain, aluminized or CHROME plated.

I.D. COLD ROLLED PART NUMBER	I.D. ALUMINIZED PART NUMBER	I.D. CHROME PLATED PART NUMBER	INSIDE DIAMETER	LENGTH IN INCHES
1-301-18	1-301-18A	1-301-18CP	3	18
1-301-24	1-301-24A	1-301-24CP	3	24
1-301-36	1-301-36A	1-301-36CP	3	36
1-301-48	1-301-48A	1-301-48CP	3	48
1-301-60	1-301-60A	1-301-60CP	3	60
1-301-72	1-301-72A	1-301-72CP	3	72
1-301-84	1-301-84A	1-301-84CP	3	84
1-301-96	1-301-96A	1-301-96CP	3	96
1-351-18	1-351-18A	1-351-18CP	3.5	18
1-351-24	1-351-24A	1-351-24CP	3.5	24
1-351-36	1-351-36A	1-351-36CP	3.5	36
1-351-48	1-351-48A	1-351-48CP	3.5	48
1-351-60	1-351-60A	1-351-60CP	3.5	60
1-351-72	1-351-72A	1-351-72CP	3.5	72
1-351-84	1-351-84A	1-351-84CP	3.5	84
1-351-96	1-351-96A	1-351-96CP	3.5	96
1-401-18	1-401-18A	1-401-18CP	4	18
1-401-24	1-401-24A	1-401-24CP	4	24
1-401-36	1-401-36A	1-401-36CP	4	36
1-401-48	1-401-48A	1-401-48CP	4	48
1-401-60	1-401-60A	1-401-60CP	4	60
1-401-72	1-401-72A	1-401-72CP	4	72
1-401-84	1-401-84A	1-401-84CP	4	84
1-401-96	1-401-96A	1-401-96CP	4	96
1-401-108	1-401-108A	1-401-108CP	4	108
1-501-18	1-501-18A	1-501-18CP	5	18
1-501-24	1-501-24A	1-501-24CP	5	24
1-501-36	1-501-36A	1-501-36CP	5	36
1-501-48	1-501-48A	1-501-48CP	5	48
1-501-60	1-501-60A	1-501-60CP	5	60
1-501-72	1-501-72A	1-501-72CP	5	72
1-501-84	1-501-84A	1-501-84CP	5	84
1-501-96	1-501-96A	1-501-96CP	5	96
1-501-108	1-501-108A	1-501-108CP	5	108
		1-605-48CP	5 ID X 6	48
		1-605-60CP	5 ID X 6	60
		1-605-84CP	5 ID X 6	84
		1-605-96CP	5 ID X 6	96
		1-605-108CP	5 ID X 6	108
		1-605-120CP	5 ID X 6	120

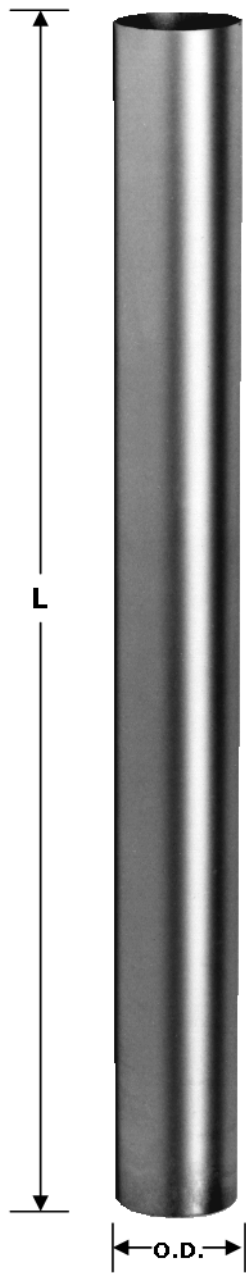


TO ORDER CALL 1-800-241-0551

STACK PIPES

O.D. END (NON-FLARED - SQUARE CUT)

Available in cut lengths up to 108" and diameters 3" to 6" in plain, aluminized or CHROME plated.



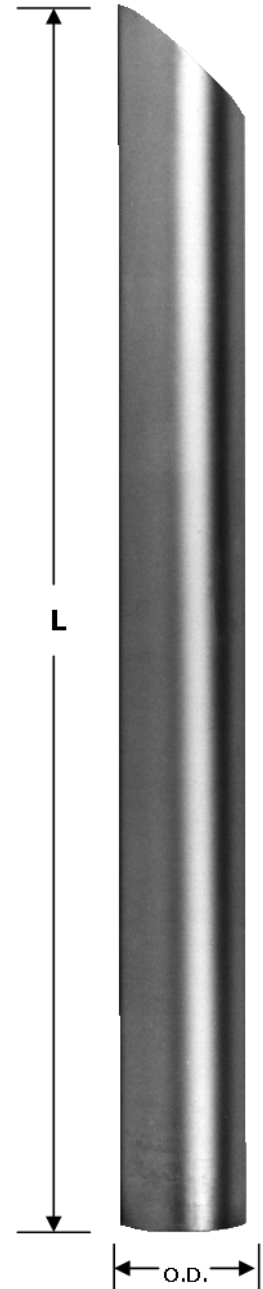
O.D. COLD ROLLED PART NUMBER	O.D. ALUMINIZED PART NUMBER	O.D. CHROME PLATED PART NUMBER	INSIDE DIAMETER	LENGTH IN INCHES
2-300-18	2-300-18A	2-300-18CP	3	18
2-300-24	2-300-24A	2-300-24CP	3	24
2-301-36	2-300-36A	2-300-36CP	3	36
2-300-48	2-300-48A	2-300-48CP	3	48
2-300-60	2-300-60A	2-300-60CP	3	60
2-300-72	2-300-72A	2-300-72CP	3	72
2-300-84	2-300-84A	2-300-84CP	3	84
2-300-96	2-300-96A	2-300-96CP	3	96
2-350-18	2-350-18A	2-350-18CP	3.5	18
2-350-24	2-350-24A	2-350-24CP	3.5	24
2-350-36	2-350-36A	2-350-36CP	3.5	36
2-350-48	2-350-48A	2-350-48CP	3.5	48
2-350-60	2-350-60A	2-350-60CP	3.5	60
2-350-72	2-350-72A	2-350-72CP	3.5	72
2-350-84	2-350-84A	2-350-84CP	3.5	84
2-350-96	2-350-96A	2-350-96CP	3.5	96
2-400-18	2-400-18A	2-400-18CP	4	18
2-400-24	2-400-24A	2-400-24CP	4	24
2-400-36	2-400-36A	2-400-36CP	4	36
2-400-48	2-400-48A	2-400-48CP	4	48
2-400-60	2-400-60A	2-400-60CP	4	60
2-400-72	2-400-72A	2-400-72CP	4	72
2-400-84	2-400-84A	2-400-84CP	4	84
2-400-96	2-400-96A	2-400-96CP	4	96
2-400-108	2-400-108A	2-400-108CP	4	108
2-500-18	2-500-18A	2-500-18CP	5	18
2-500-24	2-500-24A	2-500-24CP	5	24
2-500-36	2-500-36A	2-500-36CP	5	36
2-500-48	2-500-48A	2-500-48CP	5	48
2-500-60	2-500-60A	2-500-60CP	5	60
2-500-72	2-500-72A	2-500-72CP	5	72
2-500-84	2-500-84A	2-500-84CP	5	84
2-500-96	2-500-96A	2-500-96CP	5	96
2-500-108	2-500-108A	2-500-108CP	5	108
2-600-48		2-600-48CP	6	48
2-600-60		2-600-60CP	6	60
2-600-96		2-600-96CP	6	96
2-600-108		2-600-108CP	6	108

STACK PIPES

O.D. END (NON-FLARED - ANGLE CUT)

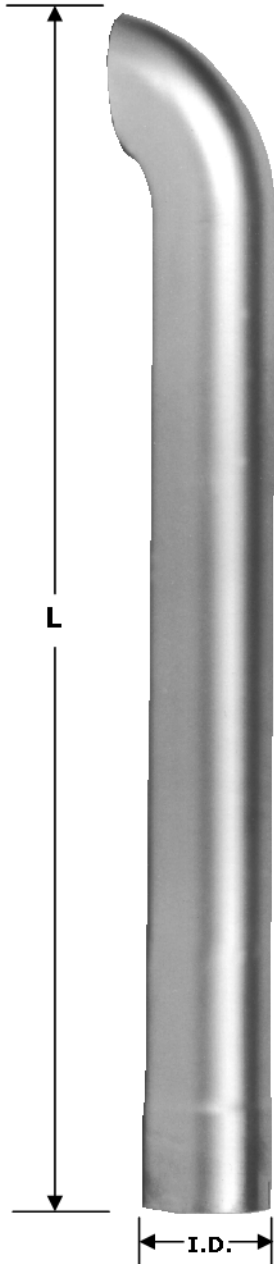
Available in cut lengths up to 108" and diameters 3" to 6" in plain, aluminized or CHROME plated.

O.D. COLD ROLLED PART NUMBER	O.D. ALUMINIZED PART NUMBER	O.D. CHROME PLATED PART NUMBER	INSIDE DIAMETER	LENGTH IN INCHES
2-301-18	2-301-18A	2-301-18CP	3	18
2-301-24	2-301-24A	2-301-24CP	3	24
2-301-36	2-301-36A	2-301-36CP	3	36
2-301-48	2-301-48A	2-301-48CP	3	48
2-301-60	2-301-60A	2-301-60CP	3	60
2-301-72	2-301-72A	2-301-72CP	3	72
2-301-84	2-301-84A	2-301-84CP	3	84
2-301-96	2-301-96A	2-301-96CP	3	96
2-351-18	2-351-18A	2-351-18CP	3.5	18
2-351-24	2-351-24A	2-351-24CP	3.5	24
2-351-36	2-351-36A	2-351-36CP	3.5	36
2-351-48	2-351-48A	2-351-48CP	3.5	48
2-351-60	2-351-60A	2-351-60CP	3.5	60
2-351-72	2-351-72A	2-351-72CP	3.5	72
2-351-84	2-351-84A	2-351-84CP	3.5	84
2-351-96	2-351-96A	2-351-96CP	3.5	96
2-401-18	2-401-18A	2-401-18CP	4	18
2-401-24	2-401-24A	2-401-24CP	4	24
2-401-36	2-401-36A	2-401-36CP	4	36
2-401-48	2-401-48A	2-401-48CP	4	48
2-401-60	2-401-60A	2-401-60CP	4	60
2-401-72	2-401-72A	2-401-72CP	4	72
2-401-84	2-401-84A	2-401-84CP	4	84
2-401-96	2-401-96A	2-401-96CP	4	96
2-401-108	2-401-108A	2-401-108CP	4	108
2-501-18	2-501-18A	2-501-18CP	5	18
2-501-24	2-501-24A	2-501-24CP	5	24
2-501-36	2-501-36A	2-501-36CP	5	36
2-501-48	2-501-48A	2-501-48CP	5	48
2-501-60	2-501-60A	2-501-60CP	5	60
2-501-72	2-501-72A	2-501-72CP	5	72
2-501-84	2-501-84A	2-501-84CP	5	84
2-501-96	2-501-96A	2-501-96CP	5	96
2-501-108	2-501-108A	2-501-108CP	5	108
2-601-48		2-601-48CP	6	48
2-601-60		2-601-60CP	6	60
2-601-96		2-601-96CP	6	96
2-601-108		2-601-108CP	6	108



STACK PIPES I.D. END FLARED

Available in cut lengths up to 120" and diameters 3" to 6" in plain, aluminized or CHROME plated.



I.D. COLD ROLLED PART NUMBER	I.D. ALUMINIZED PART NUMBER	I.D. CHROME PLATED PART NUMBER	INSIDE DIAMETER	LENGTH IN INCHES
3-300	3-300A	3-300CP	3	16
3-300-18	3-300-18A	3-300-18CP	3	18
3-300-24	3-300-24A	3-300-24CP	3	24
3-300-36	3-300-36A	3-300-36CP	3	36
3-300-48	3-300-48A	3-300-48CP	3	48
3-300-60	3-300-60A	3-300-60CP	3	60
3-300-72	3-300-72A	3-300-72CP	3	72
3-300-84	3-300-84A	3-300-84CP	3	84
3-300-96	3-300-96A	3-300-96CP	3	96
3-350	3-350A	3-350CP	3.5	16
3-350-18	3-350-18A	3-350-18CP	3.5	18
3-350-24	3-350-24A	3-350-24CP	3.5	24
3-350-36	3-350-36A	3-350-36CP	3.5	36
3-350-48	3-350-48A	3-350-48CP	3.5	48
3-350-60	3-350-60A	3-350-60CP	3.5	60
3-350-72	3-350-72A	3-350-72CP	3.5	72
3-350-84	3-350-84A	3-350-84CP	3.5	84
3-350-96	3-350-96A	3-350-96CP	3.5	96
3-400	3-400A	3-400CP	4	16
3-400-18	3-400-18A	3-400-18CP	4	18
3-400-24	3-400-24A	3-400-24CP	4	24
3-400-36	3-400-36A	3-400-36CP	4	36
3-400-48	3-400-48A	3-400-48CP	4	48
3-400-60	3-400-60A	3-400-60CP	4	60
3-400-72	3-400-72A	3-400-72CP	4	72
3-400-84	3-400-84A	3-400-84CP	4	84
3-400-96	3-400-96A	3-400-96CP	4	96
3-400-108	3-400-108A	3-400-108CP	4	108
3-500	3-500A	3-500CP	5	16
3-500-18	3-500-18A	3-500-18CP	5	18
3-500-24	3-500-24A	3-500-24CP	5	24
3-500-36	3-500-36A	3-500-36CP	5	36
3-500-48	3-500-48A	3-500-48CP	5	48
3-500-60	3-500-60A	3-500-60CP	5	60
3-500-72	3-500-72A	3-500-72CP	5	72
3-500-84	3-500-84A	3-500-84CP	5	84
3-500-96	3-500-96A	3-500-96CP	5	96
3-500-108	3-500-108A	3-500-108CP	5	108
	3-600A	3-600CP	6	16
		3-600-96CP	6	96
		3-600-108CP	6	108
		3-600-120CP	6	120
		3-605-48CP	5 ID X 6	48
		3-605-60CP	5 ID X 6	60
		3-605-96CP	5 ID X 6	96
		3-605-108CP	5 ID X 6	108
		3-605-120CP	5 ID X 6	120

Heavy Duty Manufacturing, Inc.

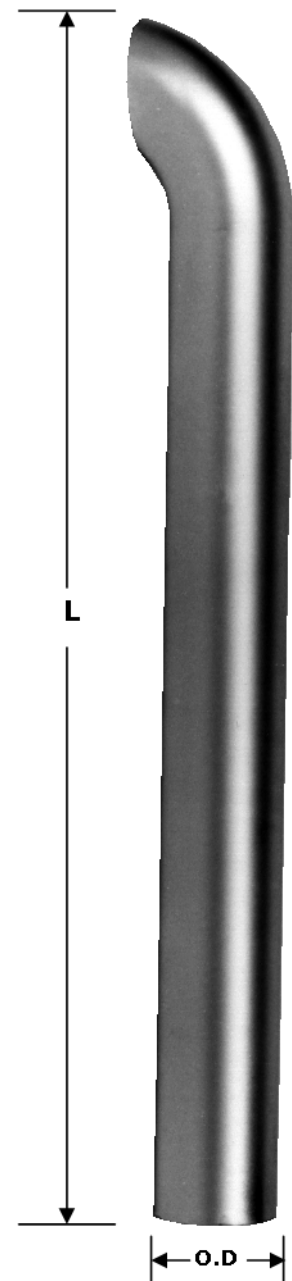
Parts and Accessories



STACK PIPES O.D. END NON-FLARED

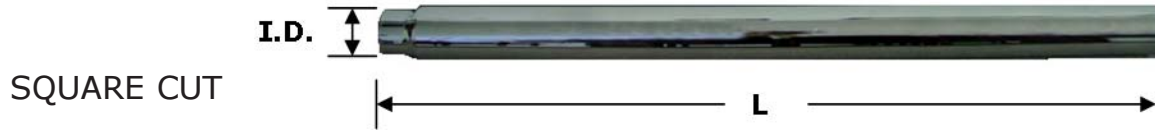
Available in cut lengths up to 120" and diameters 3" to 6" in plain, aluminized or CHROME plated.

O.D. COLD ROLLED PART NUMBER	O.D. ALUMINIZED PART NUMBER	O.D. CHROME PLATED PART NUMBER	INSIDE DIAMETER	LENGTH IN INCHES
3-301	3-301A	3-301CP	3	16
3-301-18	3-301-18A	3-301-18CP	3	18
3-301-24	3-301-24A	3-301-24CP	3	24
3-301-36	3-301-36A	3-301-36CP	3	36
3-301-48	3-301-48A	3-301-48CP	3	48
3-301-60	3-301-60A	3-301-60CP	3	60
3-301-72	3-301-72A	3-301-72CP	3	72
3-301-84	3-301-84A	3-301-84CP	3	84
3-301-96	3-301-96A	3-301-96CP	3	96
3-351	3-351A	3-351CP	3.5	16
3-351-18	3-351-18A	3-351-18CP	3.5	18
3-351-24	3-351-24A	3-351-24CP	3.5	24
3-351-36	3-351-36A	3-351-36CP	3.5	36
3-351-48	3-351-48A	3-351-48CP	3.5	48
3-351-60	3-351-60A	3-351-60CP	3.5	60
3-351-72	3-351-72A	3-351-72CP	3.5	72
3-351-84	3-351-84A	3-351-84CP	3.5	84
3-351-96	3-351-96A	3-351-96CP	3.5	96
3-401	3-401A	3-401CP	4	16
3-401-18	3-401-18A	3-401-18CP	4	18
3-401-24	3-401-24A	3-401-24CP	4	24
3-410-36	3-401-36A	3-401-36CP	4	36
3-410-48	3-401-48A	3-401-48CP	4	48
3-401-60	3-401-60A	3-401-60CP	4	60
3-401-72	3-401-72A	3-401-72CP	4	72
3-410-84	3-401-84A	3-401-84CP	4	84
3-401-96	3-401-96A	3-401-96CP	4	96
3-501	3-501A	3-501CP	5	16
3-501-18	3-501-18A	3-501-18CP	5	18
3-501-24	3-501-24A	3-501-24CP	5	24
3-501-36	3-501-36A	3-501-36CP	5	36
3-501-48	3-501-48A	3-501-48CP	5	48
3-501-60	3-501-60A	3-501-60CP	5	60
3-501-72	3-501-72A	3-501-72CP	5	72
3-510-84	3-501-84A	3-501-84CP	5	84
3-510-96	3-501-96A	3-501-96CP	5	96
3-501-108	3-501-108A	3-501-108CP	5	108
		3-601CP	6	16
		3-601-96CP	6	96
		3-601-108CP	6	108
		3-615-36CP	5 OD X 6	36
		3-615-48CP	5 OD X 6	48
		3-615-60CP	5 OD X 6	60

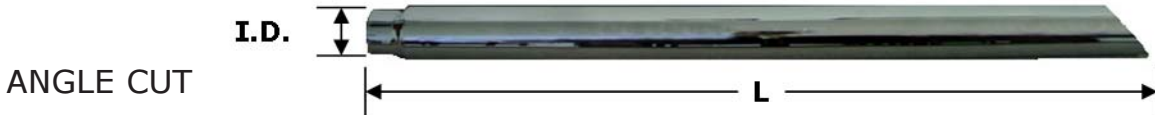


TO ORDER CALL 1-800-241-0551

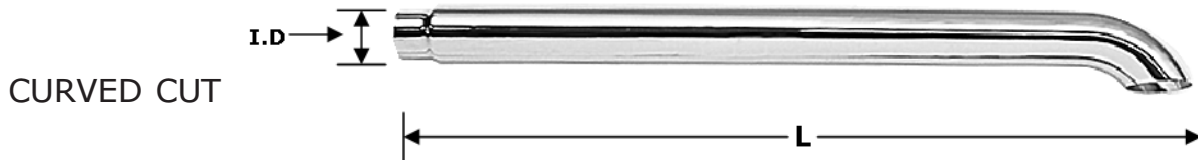
SPECIAL STACKS 6" DIAMETER REDUCED TO 5" I.D. AND O.D.



CHROME PLATED PART NUMBER	INLET DIAMETER	LENGTH IN INCHES
1-605-48SQCP	5 I.D. X 6	48
1-605-60SQCP	5 I.D. X 6	60
1-605-96SQCP	5 I.D. X 6	96
1-605-108SQCP	5 I.D. X 6	108
1-605-120SQCP	5 I.D. X 6	120

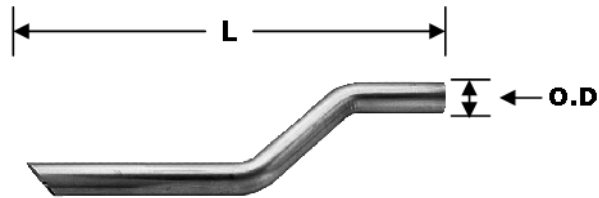


CHROME PLATED PART NUMBER	INLET DIAMETER	LENGTH IN INCHES
1-605-48CP	5 I.D. X 6	48
1-605-60CP	5 I.D. X 6	60
1-605-96CP	5 I.D. X 6	96
1-605-108CP	5 I.D. X 6	108
1-605-120CP	5 I.D. X 6	120



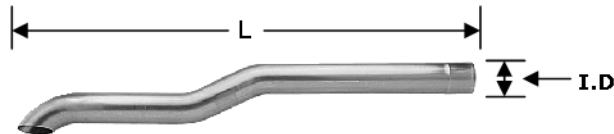
CHROME PLATED PART NUMBER	INLET DIAMETER	LENGTH IN INCHES
3-605-48CP	5 I.D. X 6	48
3-605-60CP	5 I.D. X 6	60
3-605-96CP	5 I.D. X 6	96
3-605-108CP	5 I.D. X 6	108
3-605-120CP	5 I.D. X 6	120
3-615-36CP	5 O.D. X 6	36
3-615-48CP	5 O.D. X 6	48
3-615-60CP	5 O.D. X 6	60

SPECIAL STACKS



DUMP TRUCK STACKS

COLD ROLLED PART NUMBER	ALUMINIZED PART NUMBER	CHROME PLATED PART NUMBER	OUTSIDE DIAMETER	LENGTH IN INCHES
2-401-51D	2-401-51DA	2-401-51DCP	4	51
2-501-60D	2-501-60DA	2-501-60DCP	5	60



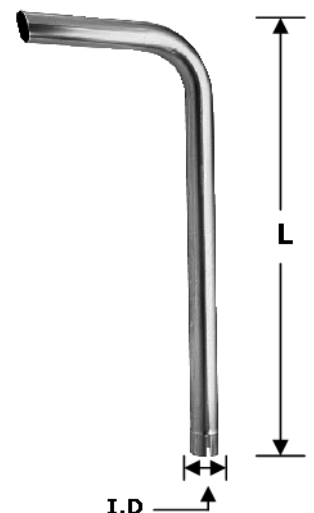
CAR HAULER STACKS

COLD ROLLED PART NUMBER	ALUMINIZED PART NUMBER	CHROME PLATED PART NUMBER	INSIDE DIAMETER	LENGTH IN INCHES
3-400-72C	3-400-72CA	3-400-72CCP	4	72
3-500-72C	3-500-72CA	3-500-72CCP	5	72

EXTENDED STACK PIPES - I.D.

STACK PIPE WITH 24" TURNOUT
 PRIMARY APPLICATION IS ON DUMPT TRUCKS
 AVAILABLE IN OTHER SIZES UPON REQUEST

COLD ROLLED PART NUMBER	ALUMINIZED PART NUMBER	CHROME PLATED PART NUMBER	INSIDE DIAMETER	LENGTH IN INCHES
3-400-36L	3-400-36LA	3-400-36LCP	4	36
3-400-48L	3-400-48LA	3-400-48LCP	4	48
3-400-60L	3-400-60LA	3-400-60LCP	4	60
3-500-36L	3-500-36LA	3-500-36LCP	5	36
3-500-48L	3-500-48LA	3-500-48LCP	5	48
3-500-60L	3-500-60LA	3-500-60LCP	5	60





DUMP TRUCK TURNOUTS

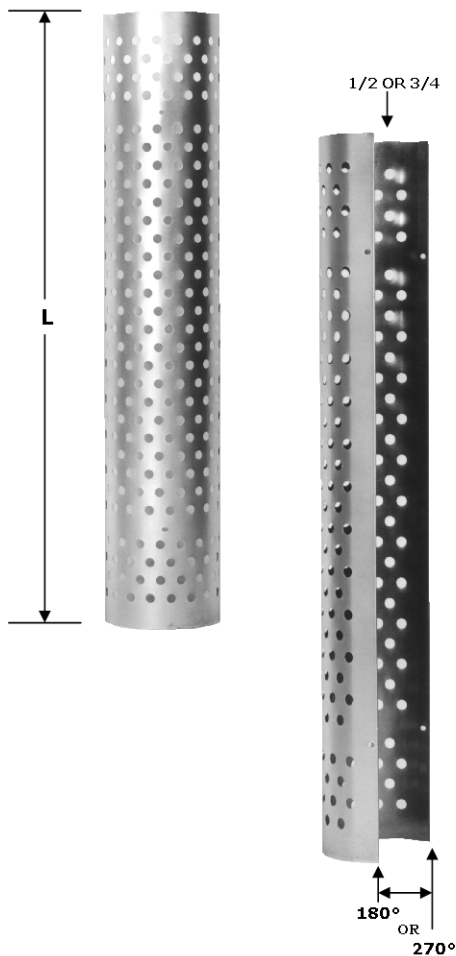
ALUMINIZED PART NUMBER	CHROME PLATED PART NUMBER	DIAMETER	LENGTH IN INCHES
3-400-10DA	3-400-10DCP	4" ID	10
3-500-10DA	3-500-10DCP	5" ID	10
3-401-10DA	3-401-10DCP	4" OD	10
3-501-10DA	3-501-10DCP	5" OD	10

DUMP TRUCK STACK PIPES

ALUMINIZED PART NUMBER	CHROME PLATED PART NUMBER	OUTSIDE DIAMETER	LENGTH IN INCHES
3-401-295DA	3-401-295DCP	4	29.5
3-501-295DA	3-501-295DCP	5	29.5



1/2 and 3/4 STACK AND MUFFLER CAGES



PAINTED PART NUMBER	STAINLESS STEEL PART NUMBER	SIZE
1/2 MUFFLER CAGE (180°)		
4-42-85P		42" CAGE WITH (2) 8.5" MOUNTING RINGS
4-42-90P		42" CAGE WITH (2) 9" MOUNTING RINGS
4-42P		42" CAGE ONLY
4-51-85P	4-51-85SS	51" CAGE WITH (2) 8.5" MOUNTING RINGS
4-51-90P	4-51-90SS	51" CAGE WITH (2) 9" MOUNTING RINGS
4-51-10P	4-51-10SS	51" CAGE WITH (2) 10" MOUNTING RINGS
4-51P	4-51SS	51" CAGE ONLY
3/4 MUFFLER CAGE (270°)		
	4-51-9075SS	51" CAGE WITH (2) 9" MOUNTING RINGS
	4-51-1075SS	51" CAGE WITH (2) 10" MOUNTING RINGS
	4-51-75SS	51" CAGE ONLY
1/2 STACK CAGE (180°)		
4-36-4P	4-36-4SS	36" CAGE WITH (2) 4" MOUNTING RINGS
4-36P	4-36SS	36" CAGE ONLY
4-48-4P	4-48-4SS	48" CAGE WITH (2) 4" MOUNTING RINGS
4-48-5P	4-48-5SS	48" CAGE WITH (2) 5" MOUNTING RINGS
4-48P	4-48SS	48" CAGE ONLY
	4-51-6SCSS	51" CAGE WITH (2) 6" MOUNTING RINGS

Heavy Duty Manufacturing, Inc.

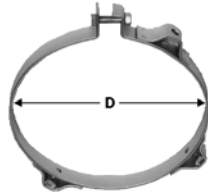
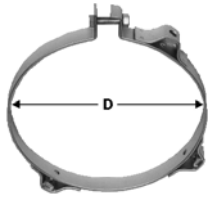
Parts and Accessories



MOUNTING BRACKETS

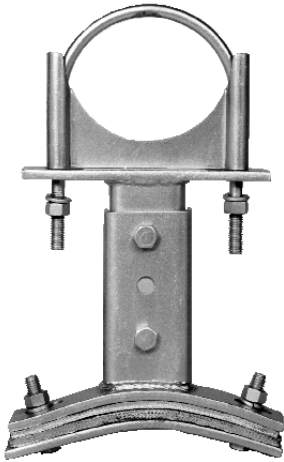
FOR STACK AND MUFFLER CAGES.

MAY BE ORDERED SEPARATELY FOR REPLACEMENT USE.



CHROME PLATED PART NUMBER	SIZE
1/2 STACK CAGE	
5-4CP	4" DIAMETER RING
5-5CP	5" DIAMETER RING
5-6CP	6" DIAMETER RING
1/2 MUFFLER CAGE	
5-85CP	8.5" DIAMETER RING
5-90CP	9" DIAMETER RING
5-10CP	10" DIAMETER RING
3/4 STAINLESS STEEL CAGE	
5-9075CP	9" DIAMETER RING
5-1075CP	10" DIAMETER RING

Clamp kits consists of two clamps, enough to mount one cage.



STACK MOUNTING BRACKETS

F = Flat Mounting Bracket
 C = Curved Mounting Bracket
 Brackets include U Clamp

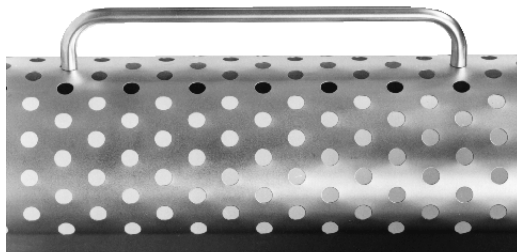
Flat Bottom

Curved Bottom

PART NUMBER	CHROME PLATED PART NUMBER	PART NUMBER	CHROME PLATED PART NUMBER	PIPE SIZE
6F-400	6F-400CP	6C-400	6C-400CP	4
6F-500	6F-500CP	6C-500	6C-500CP	5
6F-600	6F-600CP	6C-600	6C-600CP	6



GRAB HANDLE (UNIVERSAL)

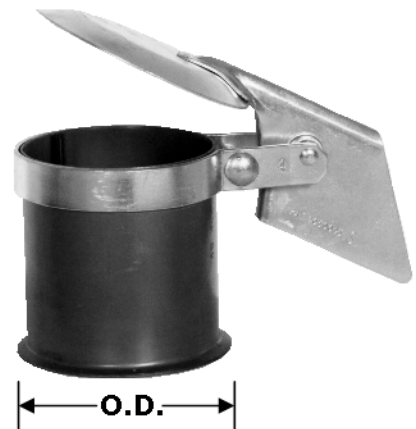


CHROME PLATED PART NUMBER	LENGTH IN INCHES
7-18CP	18

RAIN CAP

Available in 2" to 6" sizes in ZINC or CHROME plated.

ZINC PLATED PART NUMBER	CHROME PLATED PART NUMBER	DIAMETER
9-200	9-200CP	2"
9-225	9-225CP	2.25"
9-250	9-250CP	2.5"
9-275	9-275CP	2.75"
9-300	9-300CP	3"
9-350	9-350CP	3.5"
9-400	9-400CP	4"
9-450	9-450CP	4.5"
9-500	9-500CP	5"
9-550	9-550CP	5.5"
9-600	9-600CP	6"

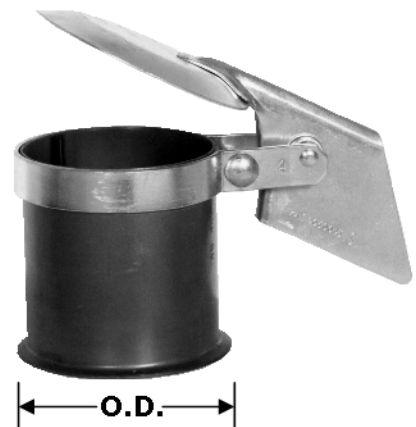


SILENCER RAIN CAP

NYLON FITTINGS FOR QUIET OPERATION

Available in 2" to 6" sizes in ZINC or CHROME plated.

ZINC PLATED PART NUMBER	CHROME PLATED PART NUMBER	DIAMETER
9S-200	9S-200CP	2"
9S-225	9S-225CP	2.25"
9S-250	9S-250CP	2.5"
9S-275	9S-275CP	2.75"
9S-300	9S-300CP	3"
9S-350	9S-350CP	3.5"
9S-400	9S-400CP	4"
9S-450	9S-450CP	4.5"
9S-500	9S-500CP	5"
9S-550	9S-550CP	5.5"
9S-600	9S-600CP	6"

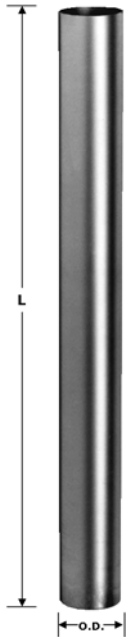


Heavy Duty Manufacturing, Inc.

Parts and Accessories

SERIES 10

WELDED TUBING 16 GAUGE .065 WALL



COLD ROLLED PART NUMBER	ALUMINIZED PART NUMBER	OUTSIDE DIAMETER	LENGTH IN FEET
	10-200A	2"	10
	10-200-5A	2"	5
	10-225A	2.25"	10
	10-225-5A	2.25"	5
	10-250A	2.5"	10
	10-250-5A	2.5"	5
	10-275A	2.75"	10
	10-275-5A	2.75"	5
10-300	10-300A	3"	10
10-300-5	10-300-5A	3"	5
10-350	10-350A	3.5"	10
10-350-5	10-350-5A	3.5"	5
10-400	10-400A	4"	10
10-400-5	10-400-5A	4"	5
10-450		4.5"	10
10-450-5		4.5"	5
10-500	10-500A	5"	10
10-500-5	10-500-5A	5"	5
10-550		5.5"	10
10-550-5		5.5"	5
10-600		6"	10
10-600-5		6"	5

SERIES 11

45 DEGREE ELBOWS ONE END O.D. ONE END I.D. 2" TO 6"



Available in plain, aluminized, or CHROME plated

COLD ROLLED PART NUMBER	ALUMINIZED PART NUMBER	CHROME PLATED PART NUMBER	DIAMETER	LENGTH 1 & 2	CENTER LINE RADIUS
	11-200-45A		2"	8"	4"
	11-225-45A		2.25"	9"	3"
	11-250-45A		2.5"	9"	5"
	11-275-45A		2.75"	9"	5"
11-300-45	11-300-45A	11-300-45CP	3"	9"	4"
11S-300-45	11S-300-45A	11S-300-45CP	3"	5.5"	4"
11-350-45	11-350-45A	11-350-45CP	3.5"	9.25"	6"
11S-350-45	11S-350-45A	11S-350-45CP	3.5"	5.75"	6"
11-400-45	11-400-45A	11-400-45CP	4"	9.25"	5"
11S-400-45	11S-400-45A	11S-400-45CP	4"	5.25"	5"
11-450-45	11-450-45A	11-450-45CP	4.5"	10"	6"
11-500-45	11-500-45A	11-500-45CP	5"	12"	8"
11S-500-45	11S-500-45A	11S-500-45CP	5"	7"	8"
11-550-45	11-550-45A	11-550-45CP	5.5"	15"	8"
11-600-45	11-600-45A	11-600-45CP	6"	15.5"	10"

SHORT RADIUS 15° I.D. / O.D. ELBOWS



COLD ROLLED PART NUMBER	ALUMINIZED PART NUMBER	CHROME PLATED PART NUMBER	DIAMETER	LENGTH 1 & 2	CENTER LINE RADIUS
11-300-15	11-300-15A	11-300-15CP	3"	4"	4"
11-350-15	11-350-15A	11-350-15CP	3.5"	4"	4"
11-400-15	11-400-15A	11-400-15CP	4"	4"	5"
11-500-15	11-500-15A	11-500-15CP	5"	4"	6"

SHORT RADIUS 30° I.D. / O.D. ELBOWS



COLD ROLLED PART NUMBER	ALUMINIZED PART NUMBER	CHROME PLATED PART NUMBER	DIAMETER	LENGTH 1 & 2	CENTER LINE RADIUS
11-300-30	11-300-30A	11-300-30CP	3"	4"	4"
11-350-30	11-350-30A	11-350-30CP	3.5"	4"	4"
11-400-30	11-400-30A	11-400-30CP	4"	4"	5"
11-500-30	11-500-30A	11-500-30CP	5"	4"	6"

SHORT RADIUS 50° I.D. / O.D. ELBOWS



COLD ROLLED PART NUMBER	ALUMINIZED PART NUMBER	CHROME PLATED PART NUMBER	DIAMETER	LENGTH 1 & 2	CENTER LINE RADIUS
11-300-50	11-300-50A	11-300-50CP	3"	4"	4"
11-350-50	11-350-50A	11-350-50CP	3.5"	4"	4"
11-400-50	11-400-50A	11-400-50CP	4"	4"	5"
11-500-50	11-500-50A	11-500-50CP	5"	4"	6"

SHORT RADIUS 60° I.D. / O.D. ELBOWS



COLD ROLLED PART NUMBER	ALUMINIZED PART NUMBER	CHROME PLATED PART NUMBER	DIAMETER	LENGTH 1 & 2	CENTER LINE RADIUS
11-300-60	11-300-60A	11-300-60CP	3"	4"	4"
11-350-60	11-350-60A	11-350-60CP	3.5"	4"	4"
11-400-60	11-400-60A	11-400-60CP	4"	4"	5"
11-500-60	11-500-60A	11-500-60CP	5"	4"	6"

SHORT RADIUS 75° I.D. / O.D. ELBOWS



COLD ROLLED PART NUMBER	ALUMINIZED PART NUMBER	CHROME PLATED PART NUMBER	DIAMETER	LENGTH 1 & 2	CENTER LINE RADIUS
11-300-75	11-300-75A	11-300-75CP	3"	4"	4"
11-350-75	11-350-75A	11-350-75CP	3.5"	4"	4"
11-400-75	11-400-75A	11-400-75CP	4"	4"	5"
11-500-75	11-500-75A	11-500-75CP	5"	4"	6"

45° ELBOWS 3" TO 5" - O.D. BOTH ENDS

Available in plain, aluminized, or CHROME PLATED



COLD ROLLED PART NUMBER	ALUMINIZED PART NUMBER	CHROME PLATED PART NUMBER	DIAMETER	LENGTH 1 & 2	CENTER LINE RADIUS
	11A-200-45A		2"	8"	5"
	11A-225-45A		2.25"	9"	3"
	11A-250-45A		2.5"	9"	5"
	11A-275-45A		2.75"	9"	5"
11A-300-45	11A-300-45A	11A-300-45CP	3"	9"	4"
11A-350-45	11A-350-45A	11A-350-45CP	3.5"	9.25"	6"
11A-400-45	11A-400-45A	11A-400-45CP	4"	9.25"	5"
	11AS-400-45A		4"	6"	5"
11A-500-45	11A-500-45A	11A-500-45CP	5"	12"	8"
	11AS-500-45A		5"	8"	8"

SHORT RADIUS 15° O.D. BOTH ENDS



COLD ROLLED PART NUMBER	ALUMINIZED PART NUMBER	CHROME PLATED PART NUMBER	DIAMETER	LENGTH 1 & 2	CENTER LINE RADIUS
11A-300-15	11A-300-15A	11A-300-15CP	3"	4"	4"
11A-350-15	11A-350-15A	11A-350-15CP	3.5"	4"	4"
11A-400-15	11A-400-15A	11A-400-15CP	4"	4"	5"
11A-500-15	11A-500-15A	11A-500-15CP	5"	4"	6"

SHORT RADIUS 30° O.D. BOTH ENDS



COLD ROLLED PART NUMBER	ALUMINIZED PART NUMBER	CHROME PLATED PART NUMBER	DIAMETER	LENGTH 1 & 2	CENTER LINE RADIUS
11A-300-30	11A-300-30A	11A-300-30CP	3"	4"	4"
11A-350-30	11A-350-30A	11A-350-30CP	3.5"	4"	4"
11A-400-30	11A-400-30A	11A-400-30CP	4"	4"	5"
11A-500-30	11A-500-30A	11A-500-30CP	5"	4"	6"

**SHORT RADIUS 50°
O.D. BOTH ENDS**



COLD ROLLED PART NUMBER	ALUMINIZED PART NUMBER	CHROME PLATED PART NUMBER	DIAMETER	LENGTH 1 & 2	CENTER LINE RADIUS
11A-300-50	11A-300-50A	11A-300-50CP	3"	4"	4"
11A-350-50	11A-350-50A	11A-350-50CP	3.5"	4"	4"
11A-400-50	11A-400-50A	11A-400-50CP	4"	4"	5"
11A-500-50	11A-500-50A	11A-500-50CP	5"	4"	6"

**SHORT RADIUS 60°
O.D. BOTH ENDS**



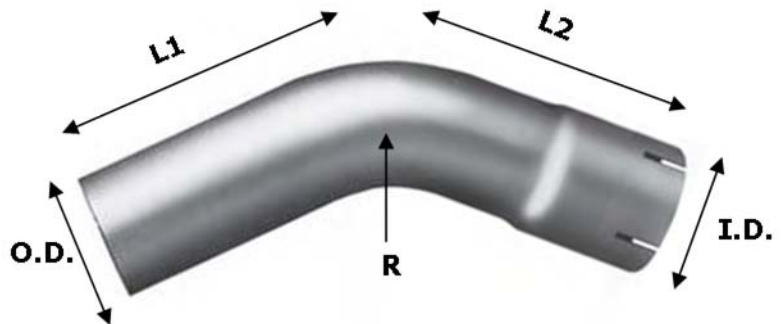
COLD ROLLED PART NUMBER	ALUMINIZED PART NUMBER	CHROME PLATED PART NUMBER	DIAMETER	LENGTH 1 & 2	CENTER LINE RADIUS
11A-300-60	11A-300-60A	11A-300-60CP	3"	4"	4"
11A-350-60	11A-350-60A	11A-350-60CP	3.5"	4"	4"
11A-400-60	11A-400-60A	11A-400-60CP	4"	4"	5"
11A-500-60	11A-500-60A	11A-500-60CP	5"	4"	6"

**SHORT RADIUS 75°
O.D. BOTH ENDS**



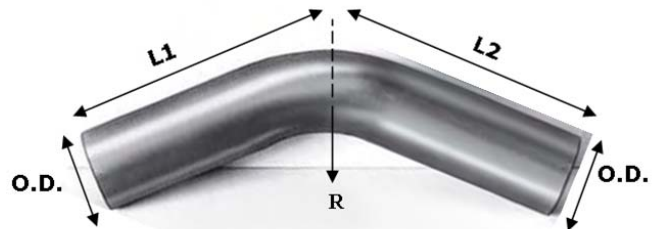
COLD ROLLED PART NUMBER	ALUMINIZED PART NUMBER	CHROME PLATED PART NUMBER	DIAMETER	LENGTH 1 & 2	CENTER LINE RADIUS
11A-300-75	11A-300-75A	11A-300-75CP	3"	4"	4"
11A-350-75	11A-350-75A	11A-350-75CP	3.5"	4"	4"
11A-400-75	11A-400-75A	11A-400-75CP	4"	4"	5"
11A-500-75	11A-500-75A	11A-500-75CP	5"	4"	6"

**45° ELBOWS
ONE END O.D.
ONE END I.D.
SHORT RADIUS**



COLD ROLLED PART NUMBER	ALUMINIZED PART NUMBER	CHROME PLATED PART NUMBER	DIAMETER	LENGTH 1 & 2	CENTER LINE RADIUS
11B-300-45	11B-300-45A	11B-300-45CP	3"	4"	4"
11B-350-45	11B-350-45A	11B-350-45CP	3.5"	4.5"	4"
11B-400-45	11B-400-45A	11B-400-45CP	4"	5"	5"
11B-500-45	11B-500-45A	11B-500-45CP	5"	6"	6"

**45° ELBOWS
O.D. BOTH ENDS
SHORT RADIUS**



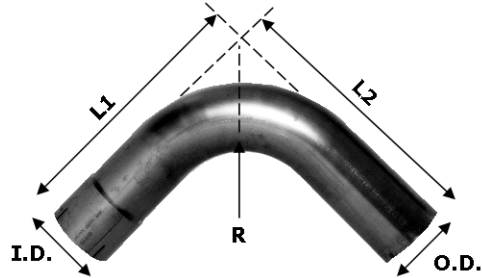
COLD ROLLED PART NUMBER	ALUMINIZED PART NUMBER	CHROME PLATED PART NUMBER	DIAMETER	LENGTH 1 & 2	CENTER LINE RADIUS
11C-300-45	11C-300-45A	11C-300-45CP	3"	4"	4"
11C-350-45	11C-350-45A	11C-350-45CP	3.5"	4.5"	4"
11C-400-45	11C-400-45A	11C-400-45CP	4"	5"	5"
11C-500-45	11C-500-45A	11B-500-45CP	5"	6"	6"

Heavy Duty Manufacturing, Inc.

Parts and Accessories



90° ELBOWS 2" TO 6" ONE END O.D. - ONE END I.D.

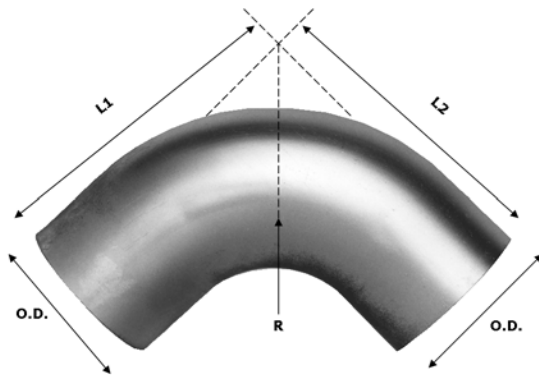


COLD ROLLED PART NUMBER	ALUMINIZED PART NUMBER	CHROME PLATED PART NUMBER	DIAMETER	LENGTH 1	LENGTH 2	CENTER LINE RADIUS
	12-200FA		2"	11"	11"	4"
	12-200A		2"	12"	12"	5"
	12-225FA		2.25"	10"	10"	3"
	12-225A		2.25"	12"	12"	3"
	12-250FA		2.25"	10"	10"	3"
	12-250A		2.5"	12"	12"	5"
	12-275FA		2.75"	12"	12"	5"
	12-275A		2.75"	13"	13"	5"
12-300FS	12-300FSA	12-300FSCP	3"	12"	10"	4"
12-300F	12-300FA	12-300FCP	3"	12"	12"	4"
12-300	12-300A	12-300CP	3"	14"	14"	4"
12-350FS	12-350FSA	12-350FSCP	3.5"	12"	10"	4"
12-350-F	12-350-FA	12-350-FCP	3.5"	12"	12"	4"
12-350	12-350A	12-350CP	3.5"	16"	16"	6"
12-488	12-488A	12-488CP	4"	8.5"	8.5"	5"
12-410	12-410A	12-410CP	4"	10"	10"	5"
12-400FS	12-400FSA	12-400FSCP	4"	12"	10"	5"
12-400-F	12-400-FA	12-400-FCP	4"	12"	12"	5"
12-400	12-400A	12-400CP	4"	18"	18"	8"
12L-400	12L-400A	12L-400CP	4"	25"	32"	8"
12L-450F	12L-450FA	12L-450FCP	4.5"	12"	12"	6"
12-450	12-450A	12-450CP	4.5"	19"	19"	9"
12-588	12-588A	12-588CP	5"	8"	8"	6"
12-510	12-510A	12-510CP	5"	10"	10"	6"
12-512	12-512A	12-512CP	5"	12"	12"	8"
12-500F	12-500FA	12-500FCP	5"	15.5"	15.5"	6"
12-500	12-500A	12-500CP	5"	19.5"	19.5"	8"
12L-500	12L-500A	12L-500CP	5"	25"	32"	8"
12-550	12-550A	12-550CP	5.5"	22.75"	22.75"	6"
12-600	12-600A	12-600CP	6"	26"	26"	10"

Heavy Duty Manufacturing, Inc.

Parts and Accessories

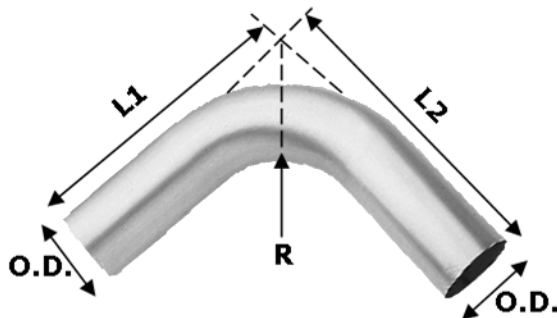
SERIES 12-A



SHORT RADIUS 90° ELBOWS O.D. BOTH ENDS

COLD ROLLED PART NUMBER	ALUMINIZED PART NUMBER	CHROME PLATED PART NUMBER	DIAMETER	LENGTH 1	LENGTH 2	CENTER LINE RADIUS
	12A-200A		2"	6.25"	6.25"	2"
	12A-225A		2.25"	6.25"	6.25"	2.25"
	12A-250A		2.5"	6.25"	6.25"	2.5"
	12A-275A		2.75"	6.25"	6.25"	2.75"
12A-300	12A-300A	12A-300CP	3"	6.5"	6.5"	4"
12A-330	12A-330A	12A-330CP	3"	13.5"	13.5"	4"
12A-350F	12A-350FA	12A-350FCP	3.5"	7.25"	7.25"	4"
12A-350	12A-350A	12A-350CP	3.5"	12"	12"	4"
12A-440	12A-440A	12A-440CP	4"	8"	8"	5"
12A-400	12A-400A	12A-400CP	4"	10"	12"	5"
12A-566	12A-566A	12A-566CP	5"	6"	6"	6"
12A-550	12A-550A	12A-550CP	5"	10.5"	10.5"	6"
12A-555	12A-555A	12A-555CP	5"	11.5"	15.5"	6"

SERIES 12-B



90° ELBOWS O.D. BOTH ENDS STANDARD LENGTHS 2" TO 6"

COLD ROLLED PART NUMBER	ALUMINIZED PART NUMBER	CHROME PLATED PART NUMBER	DIAMETER	LENGTH 1 & 2	CENTER LINE RADIUS
	12B-200FA		2"	9"	4"
	12B-200A		2"	12"	5"
	12B-225A		2.25"	12"	3"
	12B-250A		2.5"	12"	5"
	12B-275A		2.75"	13"	5"
12B-300F	12B-300FA	12B-300FCP	3"	12"	4"
12B-300	12B-300 A	12B-300CP	3"	14"	4"
12B-350F	12B-350FA	12B-350FCP	3.5"	12"	4"
12B-350	12B-350 A	12B-350 CP	3.5"	16"	6"
12B-400F	12B-400FA	12B-400FCP	4"	12"	5"
12B-400	12B-400A	12B-400CP	4"	18"	8"
12B-512	12B-512A	12B-512CP	5"	12"	8"
12B-500F	12B-500FA	12B-500FCP	5"	15.5"	6"
12B-500	12B-500A	12B-500CP	5"	19.5"	8"
12B-600	12B-600A	12B-600CP	6"	26"	10"

TO ORDER CALL 1-800-241-0551

Heavy Duty Manufacturing, Inc.

Parts and Accessories



FREIGHTLINER

ALUMINIZED PART NUMBER	CHROME PLATED PART NUMBER	FREIGHTLINER PART NUMBER	DESCRIPTION	DIAMETER
12F-15077A		04-15077-000	EXHAUST ELBOW	5"
12F-15077-003A		04-15077-003	EXHAUST ELBOW	5"
12F-15653A		04-15653-000	EXHAUST ELBOW	5"
12F-16460-009A		04-16460-009	EXHAUST ELBOW	5"
12F-16621-001A		04-16621-001	EXHAUST ELBOW	5"
12F-17094-012A		04-17094-012	EXHAUST ELBOW	5"
12F-17094-014A		04-17094-014	EXHAUST ELBOW	5"
12F-17094-016A		04-17094-016	EXHAUST ELBOW	5"
12F-17123-024A		04-17123-024	EXHAUST ELBOW	5"
12F-17476A		A04-17476-000	EXHAUST ELBOW	5"
12F-5012A	12F-5012CP	04-09586-012 04-09657-012	EXHAUST ELBOW EXHAUST ELBOW, CHROME	5"
12F-5013A	12F-5013CP	04-09586-013 04-09657-013	EXHAUST ELBOW EXHAUST ELBOW, CHROME	5"
12F-5015A	12F-5015CP	04-09586-015 04-09657-015	EXHAUST ELBOW EXHAUST ELBOW, CHROME	5"
12F-5006A	12F-5006CP	04-09833-006 04-09833-007	EXHAUST ELBOW EXHAUST ELBOW, CHROME	5"
12F-5284A	12F-5284CP	04-1284-000 04-1284-001	EXHAUST ELBOW EXHAUST ELBOW, CHROME	5"
12F-5099A	12F-5099CP	04-12099-000 04-12099-001	EXHAUST ELBOW EXHAUST ELBOW, CHROME	5"



12F-15077A



12F-15077-003A



12F-15653A

FREIGHTLINER



12F-16460-009A



12F-16621-001A



12F-17094-012A
12F-17094-014A
12F-17094-016A



12F-17123-024A



12F-17476A



12F-5012A



12F-5013A



12F-5015A



12F-5006A



12F-5284A



12F-5099A

Heavy Duty Manufacturing, Inc.

Parts and Accessories



FORD / STERLING PARTS

HDM PART NUMBER	FORD PART NUMBER
12FS-5246-FA	E6HZ-5246-F
12FS-5246-AA	F0HZ-5246-A
12FS-5246-BA	E7HZ-5246-B
12FS-5246-CA	F1HZ-5246-C
12FS-5246-EA	E2HZ-5246-E
12FS-5246-GAA	F7HS-5246-GA
12FS-5246-MA	E0HZ-5246-M
12FS-5246-NA	F3HZ-5246-N
12FS-5246-TA	F1HZ-5246-T
12FS-5246-VA	E8HZ-5246-V
12FS-5246-WA	F4HZ-5246-W
12FS-5246-XA	E8HZ-5246-X
12FS-5246-ZMA	F3HZ-5246-M
12FS-5255-ABAA	F6HZ-5255-ABA
12FS-5255-CA	E7HZ-5255-C
12FS-5255-DA	E7HZ-5255-D
12FS-5255-YA	E3HZ-5255-Y
12FS-5A212-AA	E5HZ-5A212-A
12FS-5A212-CA	E2HZ-5A212-C
12FS-5A212-FA	E2HZ-5A212-F
12FS-8290-MA	F4HZ-8290-M
12FS-8291-AA	F1HZ-8291-A



12FS-5246-FA



12FS-5246-AA



12FS-5246-BA



12FS-5246-CA



12FS-5246-EA



12FS-5246-GAA



12FS-5246-MA

FORD / STERLING PARTS



12FS-5246-TA



12FS-5246-VA



12FS-5246-WA



12FS-5246-XA



12FS-5246-ZMA



12FS-5255-ABAA



12FS-5255-CA



12FS-5255-DA



12FS-5255-YA



12FS-5A212-AA



12FS-5A212-CA
12FS-5A212-FA



12FS-8290-MA



12FS-8291-AA

Heavy Duty Manufacturing, Inc.

Parts and Accessories



O.E.M. PARTS

KENWORTH

ALUMINIZED PART NUMBER	CHROME PLATED PART NUMBER	KENWORTH O.E.M. PART NUMBER	DIAMETER	DESCRIPTION
12K-107LA	12K-107LCP	K180-10742L	5"	ELBOW, LEFT SIDE
	12K-107L-605CP	K180-10742L	6" TO 5"	ELBOW, LEFT SIDE - CHROME
12K-107RA	12K-107RCP	K180-10742R	5"	ELBOW, RIGHT SIDE
	12K-107R-605CP	K180-10742R	6" TO 5"	ELBOW, RIGHT SIDE - CHROME
12K-5419A	12K-5419CP	K180-5419	5"	25° ELBOW
12K-6326A	12K-6326CP	K180-6326	5"	INTERMEDIATE PIPE, W900B T600, T800
12K-8047A	12K-8047CP	K180-8047	5"	90° I.D. - O.D. ELBOW
12K-8049A	12K-8049CP	K180-8049	5"	INTERMEDIATE PIPE, W900B T600, T800
12K-11497A		K180-11497	5"	KENWORTH O.E.M. ELBOW
12K-12953LA	12K-12953LCP	K180-12953L	5"	ELBOW, LEFT SIDE
12K-12953RA	12K-12953RCP	K180-12953R	5"	ELBOW, RIGHT SIDE
12K-12954LA	12K-12954LCP	K180-12954L	5"	ELBOW, LEFT SIDE
12K-12954RA	12K-12954RCP	K180-12954R	5"	ELBOW, RIGHT SIDE
12K-14122A	12K-14122CP	K180-14122	5"	INTERMEDIATE PIPE, T800
12K-14764LA	12K-14764LCP	K180-14764L	5"	ELBOW, LEFT SIDE - CHROME
	12K-14764L-605CP	K180-14764L	6" TO 5"	ELBOW, LEFT SIDE - CHROME
12K-14764RA	12K-14764RCP	K180-14764R	5"	ELBOW, RIGHT SIDE - CHROME
	12K-14764R-605CP	K180-14764R	6" TO 5"	ELBOW, RIGHT SIDE - CHROME
14K-13088A		K180-13088	5"	Y PIPE W900A 1982 AND OLDER (CAT)
14K-12975A		K180-12975	5"	Y PIPE W900A (CUMMINS)
14K-14766A		K180-14766	5"	Y PIPE
14K-7528A		K180-7528	5"	Y PIPE
26K-166A		K130-166	5"	TURBO ADAPTOR

Heavy Duty Manufacturing, Inc.

Parts and Accessories



KENWORTH



**12K-107LA
12K-107RA**



12K-5419A



12K-6326A



12K-8047A



12K-8049A



12K-11497A



**12K-12953LA
12K-12953RA**



**12K-12954LA
12K-12954RA**



12K-14122A



**12K-14764LA
12K-14764RA**



14K-13088A



14K-12975A



14K-14766A



14K-7528A



26K-166A

TO ORDER CALL 1-800-241-0551



MACK

ALUMINIZED PART NUMBER	MACK PART NUMBER	DIAMETER	DESCRIPTION
12M-32611SA	4ME-32611	4"	R MODEL SQUARE FUEL TANK
12M-32612RA	4ME-32612	4"	R MODEL ROUND FUEL TANK
12M-32603A	4ME-32603	4"	R MODEL INTERMEDIATE PIPE
12M-32825A	4ME-32825	4"	DM MODEL REAR PIPE
12M-32826A	4ME-32826	4"	DM MODEL INTERMEDIATE PIPE
12M-21598A	4ME-21598	4"	DM MODEL PIPE
12M-32618A	4ME-32618	4"	DM MODEL PIPE
12M-21949A	4ME-21949	4"	DM MODEL PIPE
12M-21650A	4ME-21650	4"	TURBO PIPE
12M-21698A	4ME-21698	4"	DM MODEL TURBO PIPE
12M-21781A	4ME-21781	4"	MR MODEL PIPE
12M-21783P4A	4ME-21783P4	4"	MR MODEL PIPE
12M-31942P1A	4ME-31942P1	4"	DM MODEL TURBO PIPE
12M-4762A	4ME-4762	4"	R MODEL PIPE
26M-21408	4ME-21408	4"	TURBO ADAPTOR
26M-286P1	90RU286P1	4"	TURBO ADAPTOR

Heavy Duty Manufacturing, Inc.

Parts and Accessories



MACK



**12M-32611SA
12M-32612RA**



12M-32603A



12M-32825A



12M-32826A



12M-21598A



12M-32618A



12M-21949A



12M-21650A



12M-21698A



12M-21781A



12M-21783P4A



12M-31942P1A



**26M-21408
26M-286P1**

NAVISTAR

ALUMINIZED PART NUMBER	NAVISTAR PART NUMBER	DIAMETER	DESCRIPTION
12N-582167A	582167-CI	5"	CUMMINS TURBO PIPE, 9670
12N-503845A	503845-CI	5"	INLET PIPE, 9670
12N-1657101A	1657101-CI	5"	INLET PIPE, 9700
12N-1657118A	1657118-CI	5"	INLET PIPE, 9700
12N-503841A	503841-CI	5"	INTERMEDIATE PIPE, 63" CAB
12N-437040A	437040-CI	5"	35° ELBOW, 5" O.D. - O.D.
12N-165293-7A	165293-7CI	5"	TURBO ELBOW



12N-582167A



12N-503845A



12N-1657101A



12N-1657118A



12N-503841A



12N-437040A

Heavy Duty Manufacturing, Inc.

Parts and Accessories



O.E.M. PARTS

PETERBILT

ALUMINIZED PART NUMBER	CHROME PLATED PART NUMBER	PETERBILT PART NUMBER	DIAMETER	DESCRIPTION
12P-13056A	12P-13056CP	14-13056	5"	56° ELBOW, 379 COVENTIONAL
	12P-130560-605CP	14-13056	6" TO 5"	56° ELBOW, 379 COVENTIONAL
12P-1726A	12P-1726CP	14-01726	5"	67° ELBOW, 359 COVENTIONAL
	12P-1726-605CP	14-01726	6" TO 5"	67° ELBOW, 359 COVENTIONAL
12P-13059LA	12P-13059LCP	14-13059L	5"	LEFT HAND, 377 CONVENTIONAL
12P-13059RA	12P-13059RCP	14-13059R	5"	RIGHT HAND, 377 CONVENTIONAL
12P-15502A		14-15502	5"	PIPE, 378 MODEL
12P-09456A	12P-09456CP	14-09456	5"	PIPE, 399 CONVENTIONAL
14P-04055A		14-04055	5"	359 CONVENTIONAL
14P-12308A		14-12308	5"	359 CONVENTIONAL WITH EXTENDED HOOD
14P-13055A		14-13055	5"	379 CONVENTIONAL
14P-15353A		14-15353-0150	5"	UNIBILT Y PIPE



12P-13056A
12P-13056-605A



12P-1726A
12P-1726-605A



12P-13059LA
12P-13059RA



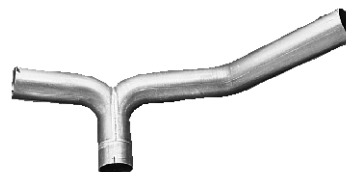
12P-15502A



12P-09456A



14P-0455A



14P-13055A



14P-15353A

TO ORDER CALL 1-800-241-0551

Heavy Duty Manufacturing, Inc.

Parts and Accessories



O.E.M. PARTS

VOLVO

ALUMINIZED PART NUMBER	VOLVO PART NUMBER	DIAMETER	DESCRIPTION
12V-23509A	23509-0258	5"	RIGHT INLET PIPE
12V-23509-0261A	23509-0261	5"	LEFT SIDE MUFFLER PIPE
12V-23509-0262A	23509-0262	5"	RIGHT SIDE MUFFLER PIPE



12V-23509A



12V-23509-0261A



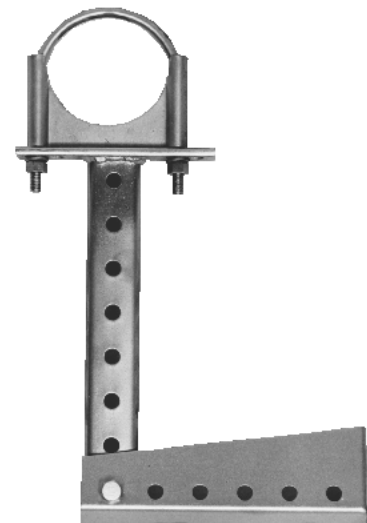
12V-23509-0262A



UNIVERSAL HANGER

COMPLETE KIT PART NUMBER	COMPLETE KIT CHROME PLATED PART NUMBER	CLAMP SIZE
13-300	13-300CP	3"
13-350	13-350CP	3.5"
13-400	13-400CP	4"
13-450	13-450CP	4.5"
13-500	13-500CP	5"

BRACKET PART NUMBER	CHROME PLATED BRACKET PART NUMBER	CLAMP SIZE
13-FMB-1	13-FMB-1CP	3", 3.5", 4"
13-FMB-2	13-FMB-2CP	4.5", 5"



Heavy Duty Manufacturing, Inc.

Parts and Accessories

SERIES 13-K

KENWORTH STACK MOUNTING BRACKETS



CHROME PLATED PART NUMBER	DIAMETER
13K-500CP	5"
13K-600CP	6"

PETERBILT STACK MOUNTING BRACKETS

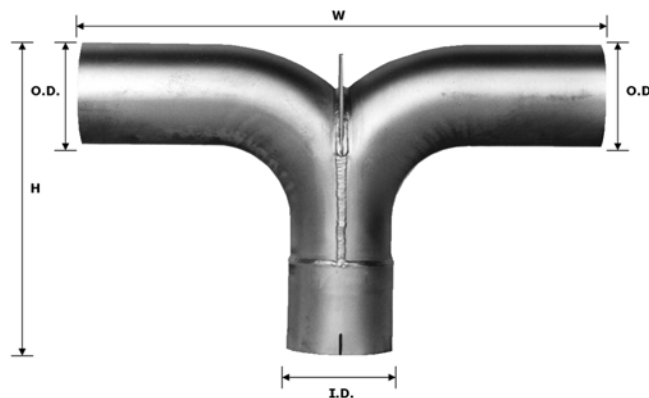
SERIES 13-P



CHROME PLATED PART NUMBER	DIAMETER
13P-500CP	5"
13P-600CP	6"

"Y" ADAPTOR FOR CONVERTING SINGLE EXHAUST SYSTEMS TO DUALS

SERIES 14



COLD ROLLED PART NUMBER	ALUMINIZED PART NUMBER	CHROME PLATED PART NUMBER	DIAMETER	HEIGHT	WIDTH
14-300	14-300A	14-300CP	3"	10"	16"
14-350	14-350A	14-350CP	3.5"	12"	18.5"
14-400	14-400A	14-400CP	4"	12"	18.5"
14-500	14-500A	14-500CP	5"	14"	25"
14C-500	14C-500A	14C-500CP	5" OD	14"	25"

TO ORDER CALL 1-800-241-0551



CONVENTIONAL "Y" ADAPTOR REPLACES O.E.M. PARTS



COLD ROLLED PART NUMBER	ALUMINIZED PART NUMBER	A OUTSIDE DIAMETER	B OUTSIDE DIAMETER	C OUTSIDE DIAMETER
14A-400	14A-400A	4"	4"	4"
14A-500	14A-500A	5"	5"	5"



COLD ROLLED PART NUMBER	ALUMINIZED PART NUMBER	A INSIDE DIAMETER	B OUTSIDE DIAMETER	C OUTSIDE DIAMETER
14B-400	14B-400A	4"	4"	4"
14B-500	14B-500A	5"	5"	5"



O.E.M. Y ADAPTOR

FREIGHTLINER

ALUMINIZED PART NUMBER	FREIGHTLINER PART NUMBER	DIAMETER	DESCRIPTION
14F-5104A	A04-12104-000	5"	Y-PIPE
14F-5974A	A04-13974-000	5"	Y-PIPE
14F-16885-041A	04-16885-041	5"	Y-PIPE



14F-5104A



14F-5974A



14F-16885-041A

Heavy Duty Manufacturing, Inc.

Parts and Accessories

SERIES 14-KP

O.E.M. Y ADAPTOR

KENWORTH



14K-13088A



14K-12975A



14K-14766A



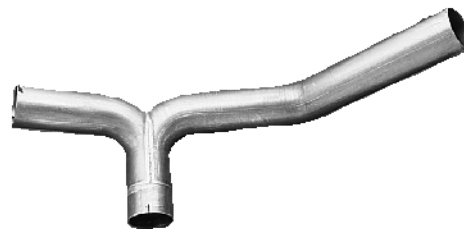
14K-7528A

ALUMINIZED PART NUMBER	KENWORTH PART NUMBER	DESCRIPTION	DIAMETER
14K-13088A	K180-13088	Y-PIPE W9000A 1982 & OLDER (CAT)	5"
14K-12975A	K180-12975	Y-PIPE W900A 1982 & OLDER (CUMMINS)	5"
14K-14766A	K180-14766	Y-PIPE W900B, T600, 7800	5"
14K-7528A	K180-7528	Y-PIPE 86 COE	5"

PETERBILT



14P-04055A



14P-13055A



14P-15353A

ALUMINIZED PART NUMBER	PETERBILT PART NUMBER	DESCRIPTION	DIAMETER
14P-04055A	14-14055	359 CONVENTIONAL	5"
14P-12308A	14-12308	359 CONVENTIONAL WITH EXTENDED HOOD	5"
14P-13055A	14-13055	Y-PIPE W900B, T600, 7800	5"
14P-15353A	14-15353-0150	PETERBILT Y-PIPE - O.D. - O.D. - O.D.	5"

SERIES 15

MUFFLER HANGER

BOLT INCLUDED FOR MUFFLER ASSEMBLY
1" X 1/8" COLD ROLLED STEEL



PART NUMBER	DIAMETER
15-600	6"
15-700	7"
15-800	8"
15-850	8.5"
15-900	9"
15-1000	10"
15-1015	10" X 15"

TO ORDER CALL 1-800-241-0551

Heavy Duty Manufacturing, Inc.

Parts and Accessories

CUTTING AND INSTALLATION INSTRUCTIONS FOR FLEXIBLE TUBING

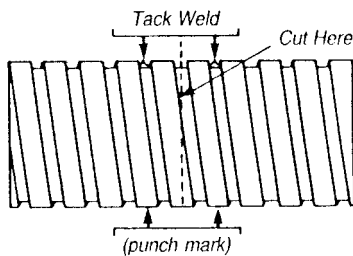
FLEXIBLE TUBING CAN TWIST OR UNRAVEL WHEN CUT, CAUSING ITS DIAMETER TO CHANGE AND MAKING INSTALLATION DIFFICULT. THIS OCCURS BECAUSE FLEXIBLE TUBING MUST MAINTAIN FLEXIBILITY IN ORDER TO FUNCTION PROPERLY, AND, THEREFORE, CANNOT BE TIGHTLY WOUND IN THE MANUFACTURING PROCESS. HOWEVER, FLEXIBLE TUBING CAN BE MANAGED FOR TROUBLE-FREE INSTALLATION BY FOLLOWING THESE GUIDELINES.



CUTTING

1. PREPARE

PLACE A TACK WELD BETWEEN CONVOLUTIONS ON EACH SIDE OF THE INTENDED CUT TO KEEP ENDS FROM TWISTING OR UNRAVELING.



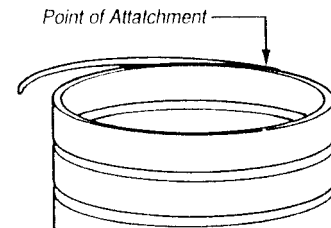
IF A WELDER IS NOT AVAILABLE, INSERT A MANDREL OR BACK-UP PIPE INTO THE TUBING AND PLACE A PUNCH MARK DIRECTLY ON CONVOLUTIONS ON EACH SIDE OF THE INTENDED CUT.

2. CUT

PLACE THE TUBING SECURELY IN A VICE. CUT WITH A METAL CUTTING BAND SAW OR A HACKSAW WITH 32 TEETH PER INCH.

3. TRIM

EACH SIDE OF THE CUT WILL NOW HAVE A SPIRAL "TAIL" THAT MUST BE REMOVED TO THE POINT AT WHICH IT IS ATTACHED. BEND EACH TAIL UNTIL IT BREAKS, OR BEND AND USE CUTTING SHEARS TO REMOVE.



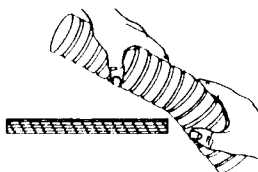
4. DEBURR

DEBURR BOTH CUT SURFACES WITH A HAND-OPERATED DRUM SANDER OR FILE.

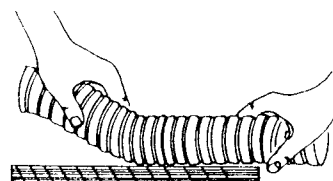
INSTALLATION

FLEXIBLE TUBING'S FUNCTION IS TO PREVENT EXCESSIVE STRESS ON EXHAUST SYSTEM COMPONENTS BY ABSORBING VIBRATION AND THERMAL EXPANSION THAT WOULD OTHERWISE CAUSE SYSTEM COMPONENTS TO SHAKE LOOSE AND BREAK.

TO PROVIDE ADEQUATE FLEXIBILITY, FLEX TUBING SHOULD BE INSTALLED IN A HALF EXTENDED STATE. TO REACH HALF EXTENSION, PLACE THE MIDDLE OF THE TUBING OVER THE EDGE OF A WORK BENCH, PUSH DOWN ON BOTH HALVES AND BEND AS MUCH AS POSSIBLE.



THEN PLACE THE ENTIRE PIECE OF TUBING ON THE TABLE AND PUSH THE END DOWN UNTIL STRAIGHTENED. THE TUBING IS NOW AT HALF EXTENSION. NOTE: DO NOT USE FLEXIBLE TUBING TO FORM AN EXHAUST PIPE BEND. USE ELBOWS INSTEAD.





FLEXIBLE TUBING 2" TO 6" I.D., 10 FT. LENGTHS

PART NUMBER	I.D.	O.D.
TYPE M - GALVANIZED .024/.026 WALL		
16-200-10M	2"	2-9/32
16-225-10M	2.25"	2-17/32
16-250-10M	2.5"	2-25/32
16-275-10M	2.75"	2-1/32
16-300-10M	3"	3-9/32
16-350-10M	3.5"	3-25/32
16-400-10M	4"	4-9/32
16-450-10M	4.5"	4-25/32
16-500-10M	5"	5-9/32
16-600-10M	6"	6-9/32
TYPE S - STAINLESS STEEL .016/.020 WALL		
16-200-10S	2"	2 1/4
16-225-10S	2.25"	2 1/2
16-250-10S	2.5"	2 3/4
16-275-10S	2.75"	3
16-300-10S	3"	3 1/4
16-350-10S	3.5"	3 3/4
16-400-10S	4"	4 1/4
16-450-10S	4.5"	4 3/4
16-500-10S	5"	5 1/4
16-600-10S	6"	6 1/4

FLEXIBLE TUBING 2" TO 6" I.D., 25 FT. COILS



PART NUMBER	I.D.	O.D.
TYPE M - GALVANIZED .024/.026 WALL		
16-200M	2"	2-9/32
16-225M	2.25"	2-17/32
16-250M	2.5"	2-25/32
16-275M	2.75"	3-1/32
16-300M	3"	3-9/32
16-350M	3.5"	3-25/32
16-400M	4"	4-9/32
16-450M	4.5"	4-25/32
16-500M	5"	5-9/32
16-600M	6"	6-9/32
TYPE S - STAINLESS STEEL .016/.020 WALL		
16-200S	2"	2 1/4
16-225S	2.25"	2 1/2
16-250S	2.5"	2 3/4
16-275S	2.75"	3
16-300S	3"	3 1/4
16-350S	3.5"	3 3/4
16-400S	4"	4 1/4
16-450S	4.5"	4 3/4
16-500S	5"	5 1/4
16-600S	6"	6 1/4



CONNECTORS

FLEXIBLE STACK CONNECTIONS

AVAILABLE IN GALVANIZED OR STAINLESS STEEL
ONE END O.D. AND THE OTHER I.D.

GALVANIZED PART NUMBER	STAINLESS STEEL PART NUMBER	DIAMETER	FLEXIBLE LENGTH	TOTAL LENGTH
17-300-18	17-300-18SS	3"	12"	18"
17-300-36	17-300-36SS	3"	30"	36"
17-350-18	17-350-18SS	3.5"	12"	18"
17-350-36	17-350-36SS	3.5"	30"	36"
17-400-18	17-400-18SS	4"	12"	18"
17-400-36	17-400-36SS	4"	30"	36"
17-500-18	17-500-18SS	5"	12"	18"
17-500-36	17-500-36SS	5"	30"	36"



CUT LENGTHS OF FLEX TUBING

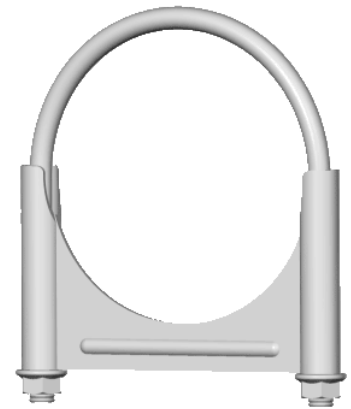
ENDS ARE WELDED TO PREVENT UNRAVELING

GALVANIZED PART NUMBER .024 / .026 STRIP	STAINLESS STEEL PART NUMBER .016 / .020 STRIP	DIAMETER	TUBING LENGTH
17B-300-12	17B-300-12SS	3"	12"
17B-300-18	17B-300-18SS	3"	18"
17B-300-24	17B-300-24SS	3"	24"
17B-300-36	17B-300-36SS	3"	36"
17B-300-48	17B-300-48SS	3"	48"
17B-300-60	17B-300-60SS	3"	60"
17B-350-12	17B-350-12SS	3.5"	12"
17B-350-18	17B-350-18SS	3.5"	18"
17B-350-24	17B-350-24SS	3.5"	24"
17B-350-36	17B-350-36SS	3.5"	36"
17B-350-48	17B-350-48SS	3.5"	48"
17B-350-60	17B-350-60SS	3.5"	60"
17B-400-12	17B-400-12SS	4"	12"
17B-400-18	17B-400-18SS	4"	18"
17B-400-24	17B-400-24SS	4"	24"
17B-400-36	17B-400-36SS	4"	36"
17B-400-48	17B-400-48SS	4"	48"
17B-400-60	17B-400-60SS	4"	60"
17B-500-12	17B-500-12SS	5"	12"
17B-500-18	17B-500-18SS	5"	18"
17B-500-24	17B-500-24SS	5"	24"
17B-500-36	17B-500-36SS	5"	36"
17B-500-48	17B-500-48SS	5"	48"
17B-500-60	17B-500-60SS	5"	60"



GUILLOTINE STYLE U CLAMP WRAPPED INDIVIDUALLY, 10 PER BOX

PLAIN PART NUMBER	ZINC PLATED PART NUMBER	CHROME PLATED PART NUMBER	DIAMETER
18-200	18-200Z	18-200CP	2"
18-225	18-225Z	18-225CP	2.25"
18-250	18-250Z	18-250CP	2.5"
18-275	18-275Z	18-275CP	2.75"
18-300	18-300Z	18-300CP	3"
18-325	18-325Z	18-325CP	3.25"
18-350	18-350Z	18-350CP	3.5"
18-400	18-400Z	18-400CP	4"
18-450	18-450Z	18-450CP	4.5"
18-476	18-476Z	18-476CP	4 7/16"
18-500	18-500Z	18-500CP	5"
18-550	18-550Z	18-550CP	5.5"
18-600	18-600Z	18-600CP	6"



AccuSeal™ Clamps

ALUMINIZED PART NUMBER	DIAMETER
18A-300	3"
18A-350	3.5"
18A-400	4"
18A-500	5"

- CREATES OVER A TON OF CLAMPING STRENGTH WITHOUT CRUSHING PIPES. PROVIDES A STRONG, SERVICEABLE EXHAUST JOINT.

- HIGH STRENGTH, WORLD CLASS HARDWARE, FIVE TIMES THE CORROSION RESISTANCE OF U-BOLT CLAMPS. CHOOSE FROM ALUMINIZED STEEL, STAINLESS STEEL OR BRIGHT STAINLESS STEEL.

- PRE-ASSEMBLED HARDWARE. INSTALLATION IS FAST, EASY, ACCURATE...SLIP ON CLAMP, POSITION OVER SLOTTED END, INSERT MATING PART AND TORQUE TO 40-60 FOOT POUNDS



For use on all slotted muffler and pipe connections.



Heavy Duty Manufacturing, Inc.

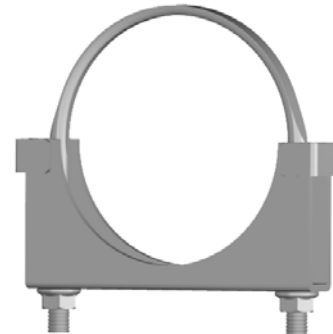
Parts and Accessories



FLAT BAND U CLAMP

Flat Band Construction with Welded Saddle

PLAIN PART NUMBER	ZINC PLATED PART NUMBER	CHROME PLATED PART NUMBER	DIAMETER
19-300	19-300Z	19-300CP	3"
19-350	19-350Z	19-350CP	3.5"
19-400	19-400Z	19-400CP	4"
19-500	19-500Z	19-500CP	5"
19-600	19-600Z	19-600CP	6"

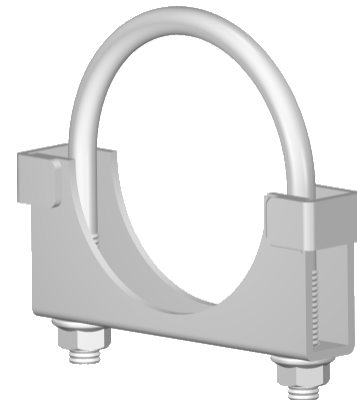


ROUND BAND, DOUBLE SADDLE CLAMP

WRAPPED INDIVIDUALLY, 10 PER BOX



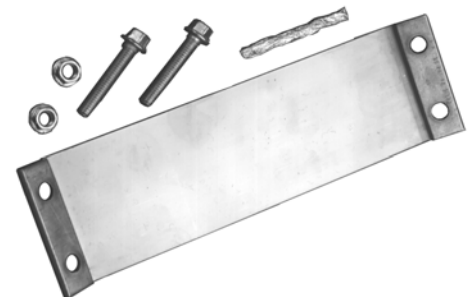
PLAIN PART NUMBER	ZINC PLATED PART NUMBER	CHROME PLATED PART NUMBER	DIAMETER
19A-200	19A-200Z	19A-200CP	2"
19A-225	19A-225Z	19A-225CP	2.25"
19A-250	19A-250Z	19A-250CP	2.5"
19A-275	19A-275Z	19A-275CP	2.75"
19A-300	19A-300Z	19A-300CP	3"
19A-350	19A-350Z	19A-350CP	3.5"
19A-400	19A-400Z	19A-400CP	4"
19A-500	19A-500Z	19A-500CP	5"



BAND CLAMP



PART NUMBER	ALUMINIZED PART NUMBER	SIZE
20-200		2"
20-225		2.25"
20-250		2.5"
20-275		2.75"
20-300		3"
20-350		3.5"
20-400	20-400A	4"
20-500	20-500A	5"
20-600		6"



Heavy Duty Manufacturing, Inc.

Parts and Accessories

SERIES 20

The Original SealClamp®

- Reduces leaks & noise
- Installs Easily
- For overlapping I.D. to O.D. joints only
- Available in many sizes
- Flat or preformed
- Stainless, chrome or aluminized



Two Styles of Wide Band SealClamps Pre-formed & Flat



Used to seal muffler inlets, outlets, elbow joints, and other system connections and prevent noise and exhaust gas leaks at the seal, the patented SealClamp® was invented by Donaldson engineers.

The aluminized steel SealClamp® is typically less expensive than the equivalent stainless steel model and requires less torque during installation.

SealClamps are easy to install! There's no need to weld or disconnect your exhaust system. When installed, the wide band conforms to the shape of straight or flexpipe, and seals without distorting the pipe.

Service Tips

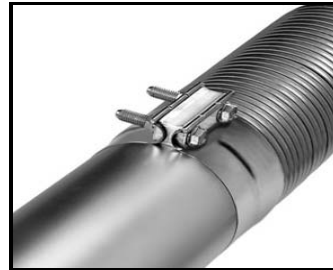


- 1) When connecting exhaust pipes that are rusted or made of galvanized steel, lubricate the SealClamp and joint area before installation.
- 2) Position the SealClamp so that 1/2 to 1/3 of it covers the small diameter side of the connection and all slots are completely covered.
- 3) Assemble bolts and position the gasket strip between the bolts and the pipe.
- 4) For aluminized steel SealClamps, tighten by turning the bolt; for stainless steel and chrome plated models, tighten by turning the nut.
- 5) For all models torque by alternating between bolts several times. Beginning with the large diameter side of the connection, torque to 50 - 75 lbs. Uneven torquing of the bolts or neglecting to lubricate the area can cause the band to separate from the bolt strip.

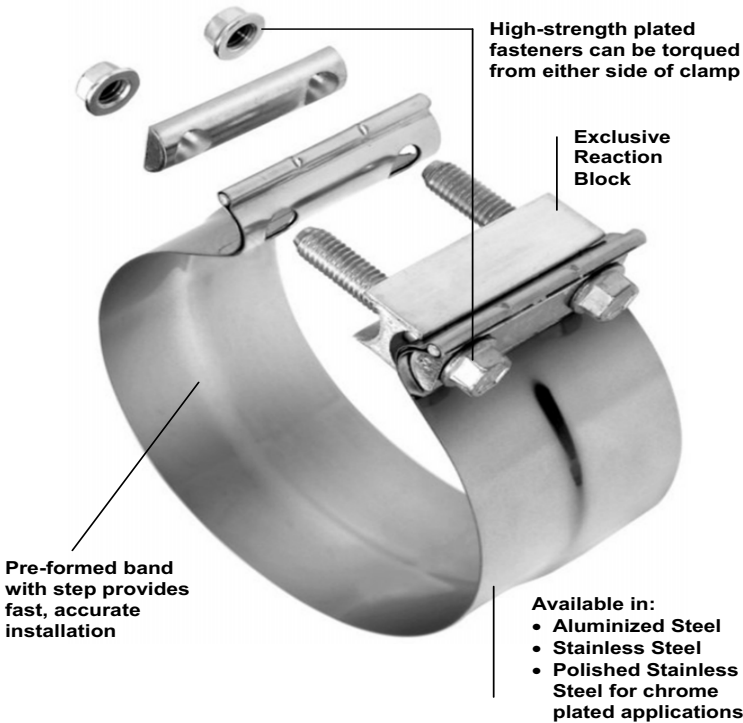
TorcTite®

PREFORMED LAP JOINT EXHAUST CLAMPS With Pre-Attached Hardware

The simple, effective way to connect exhaust system components. Replaces U-bolts and clamps. Patented design makes for fast, easy and accurate installation — there's no need to separate pipes or exhaust members before clamping.



Causes no damaging distortion to pipe or flex. Band is designed for maximum stretch providing tight take-up on pipe/pipe or pipe/flex applications.



- Available in standard industry sizes from 2" through 6" and metric equivalents.
- The exclusively developed fastening system, including a force bar, bolts, nuts and the patented reaction block, creates the power to stretch the clamp band tightly around exhaust members.
- The reaction block provides a full 360° equal distribution of stretching forces, prohibiting pipe distortion while completing a seal around the joined exhaust components.

PREFORMED BAND CLAMP For Lap Joints

ALUMINIZED PART NUMBER	STAINLESS STEEL PART NUMBER	SIZE
20A-200	20S-200	2"
20A-225	20S-225	2.25"
20A-250	20S-250	2.5"
20A-275	20S-275	2.75"
20A-300	20S-300	3"
20A-350	20S-350	3.5"
20A-400	20S-400	4"
20A-500	20S-500	5"
20A-600	20S-600	6"

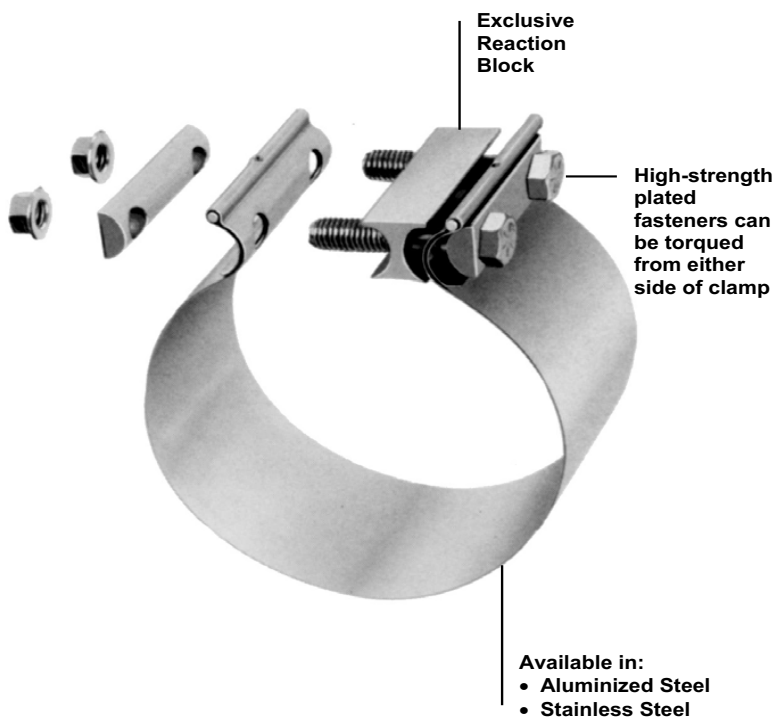
TorcTite® Butt Joint

PREFORMED BUTT JOINT EXHAUST CLAMPS With Pre-Attached Hardware

The simple, effective way to connect exhaust system components. Patented design with pre-attached hardware makes for fast, easy and accurate installation.



Clamp causes no damaging distortion to pipe. Band is designed for maximum stretch providing tight take-up on pipe/pipe O.D. butt applications.



- Available in standard industry sizes from 2" through 6".
- The exclusive reaction block provides a full 360° equal distribution of stretching forces, prohibiting pipe distortion while completing a seal around the joined exhaust components.
- The only OEM approved butt joint clamp.

PREFORMED BAND CLAMP For Butt Joints

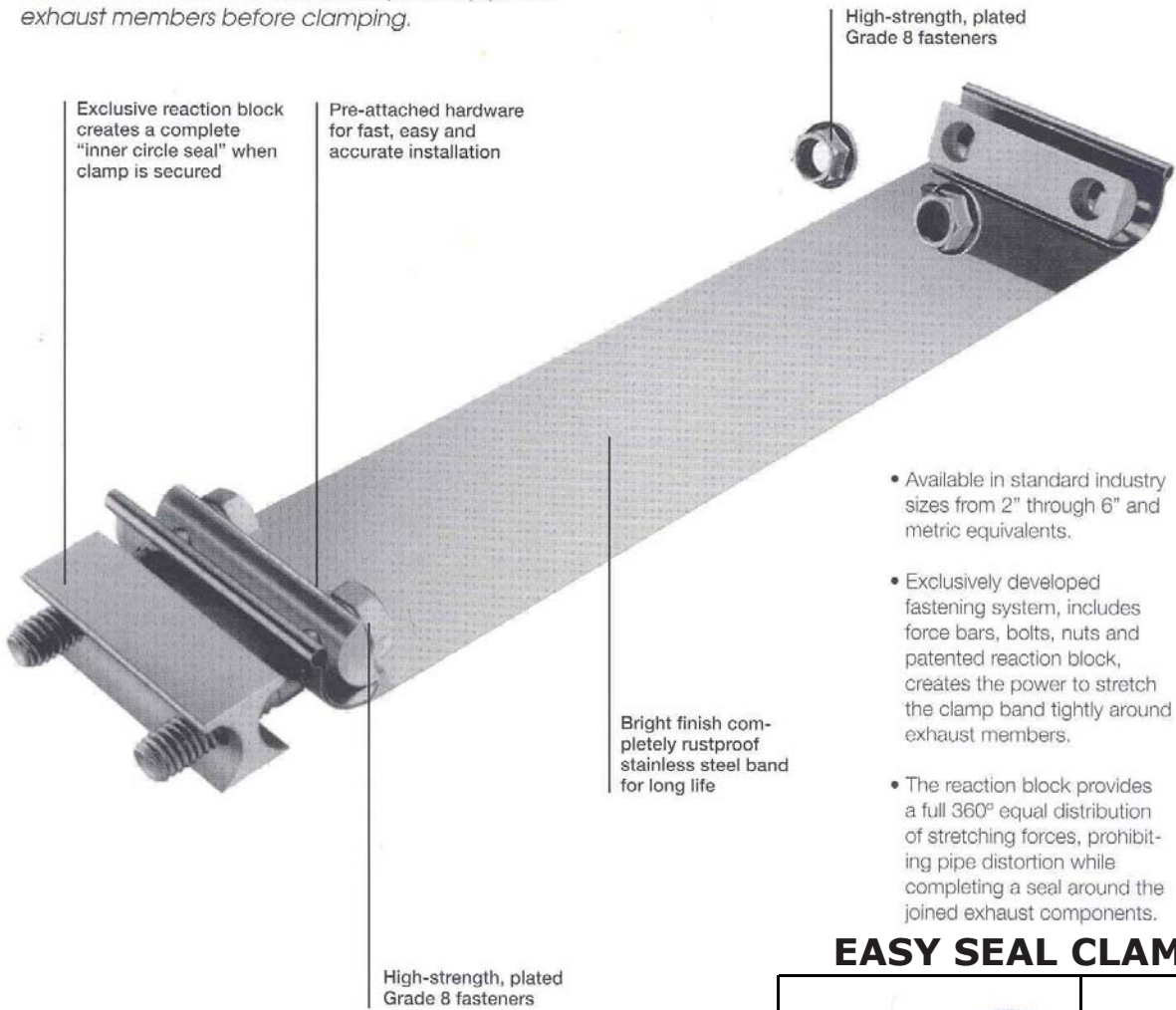
PART NUMBER	SIZE
20B-225	2.25"
20B-250	2.5"
20B-275	2.75"
20B-300	3"
20B-350	3.5"
20B-400	4"
20B-500	5"
20B-600	6"

EasySeal®

EASY SEAL FLATBEND EXHAUST CLAMP With Pre-Attached Hardware

The simple, effective way to connect exhaust system components. Replaces U-bolts and clamps.

Patented design makes for fast, easy and accurate installation - there's no need to separate pipes or exhaust members before clamping.



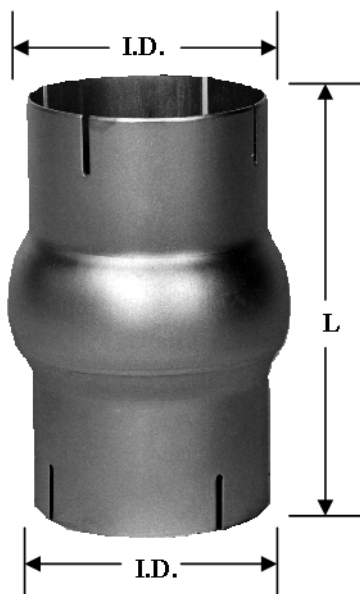
- Available in standard industry sizes from 2" through 6" and metric equivalents.
- Exclusively developed fastening system, includes force bars, nuts and patented reaction block, creates the power to stretch the clamp band tightly around exhaust members.
- The reaction block provides a full 360° equal distribution of stretching forces, prohibiting pipe distortion while completing a seal around the joined exhaust components.

EASY SEAL CLAMP

PART NUMBER	SIZE
20-200-ES	2"
20-225-ES	2.25"
20-250-ES	2.5"
20-275-ES	2.75"
20-300-ES	3"
20-350-ES	3.5"
20-400-ES	4"
20-500-ES	5"
20-600-ES	6"

V-CLAMPS

PIPE O.D.	PART NUMBER	APPLICATION	I.D.
2.75"	21-275	CUMMINS	3.20
3"	21-113	DETROIT 6V-71	3.82
3"	21-213	CUMMINS V903	3.88
3.5"	21-233 1/2	CAT 3208T	4.19
3.5"	21-113 1/2	DETROIT 8V-71	4.50
3.5"	21-243 1/2	NAVISTAR DT466	4.31
3.5"	21-253 1/2	CUMMINS C	4.12
4"	21-114	DETROIT	4.81
4"	21-314	MACK 48RU2341	4.61
4"	21-344	MACK 11ME29	4.94
4"	21-384	DETROIT 8.2N	4.06
4"	21-364	DETROIT 8.2T	4.75
4"	21-374	L10 CUMMINS, CAT 3176	4.75
4"	21-494	12V71-6.71	4.49
5"	21-192	DETROIT 8V-71	5.92
5"	21-125	DETROIT 8V-71T	5.25
5"	21-215	CUMMINS T-50 TURBO	5.88
5"	21-225	CUMMINS	5.25
5"	21-325	MACK	5.25
5"	21-545	AIRESEARCH	5.43



UNIVERSAL BALL JOINT

PART NUMBER	DIAMETER	LENGTH
22-300	3"	6"
22-350	3.5"	6"
22-400	4"	7.5"
22-500	5"	8"

Heavy Duty Manufacturing, Inc.

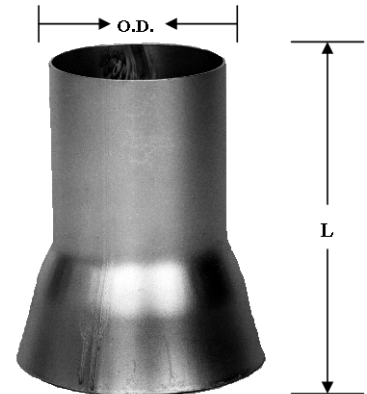
Parts and Accessories

SERIES 23

TILT CAB BELL CONNECTOR

PART NUMBER	CHROME PLATED PART NUMBER	DIAMETER	LENGTH
23-300	23-300CP	3"	7"
23-350	23-350CP	3.5"	7"
23-400	23-400CP	4"	7"
23-500	23-500CP	5"	7.75"

(USE WITH SERIES 24)

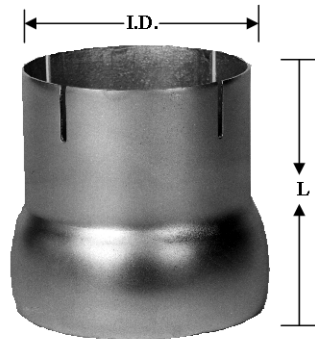


SERIES 24

TILT CAB BALL CONNECTOR

PART NUMBER	CHROME PLATED PART NUMBER	DIAMETER	LENGTH
24-300	24-300CP	3"	4.25"
24-350	24-350CP	3.5"	4.5"
24-400	24-400CP	4"	4.5"
24-500	24-500CP	5"	5.25"

(USE WITH SERIES 23)

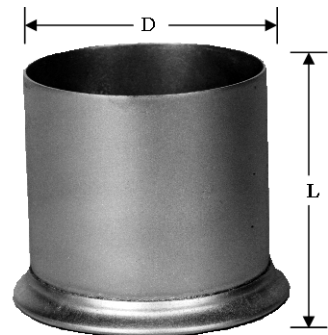


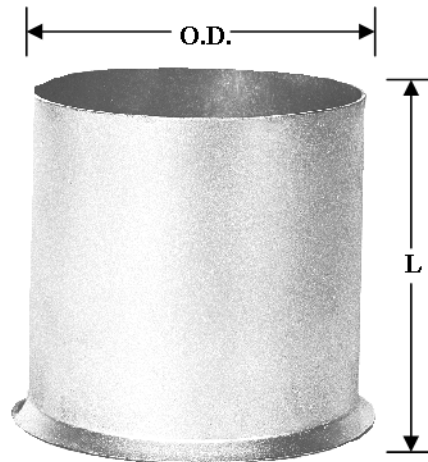
SERIES 25

MANIFOLD ADAPTOR

MANIFOLD ADAPTOR (USE WITH MANIFOLD FLANGE 27-404)

PART NUMBER	DIAMETER	LENGTH
25-404	4"	4"





FLARED CONNECTORS (O.D.)

COLD ROLLED PART NUMBER	ALUMINIZED PART NUMBER	DEGREE OF FLARE	O.D.	LENGTH	APPLICATION
	26-506A	20°	5"	6.25"	T-50 TURBO CHARGER
	26-300A	22°	3"	4.25"	CAT 3208T DETROIT DIESEL 8.2T
	26-350A	22°	3.5"	4.25"	
	26-400A	22°	4"	4.25"	
	26-500A	22°	5"	4.25"	
26-305	26-305A	45°	3"	5"	
26-355	26-355A	45°	3.5"	5"	DETROIT DIESEL
26-405	26-405A	45°	4"	5"	CUMMINS 250
26-505	26-505A	45°	5"	5"	CUMMINS

FLARED CONNECTORS (I.D.)

COLD ROLLED PART NUMBER	ALUMINIZED PART NUMBER	DEGREE OF FLARE	I.D.	LENGTH	APPLICATION
	26-302A	22°	3"	3"	DETROIT DIESEL 6V-71
	26-352A	22°	3.5"	3"	DETROIT DIESEL 6-71 & 12V-71
	26-402A	22°	4"	3"	
	26-502A	22°	5"	3"	
	26-351A	90°	3.5"	1"	MACK FLANGE

Heavy Duty Manufacturing, Inc.

Parts and Accessories



BEADED ADAPTOR

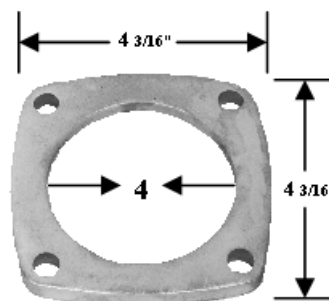
PART NUMBER	ENGINE	OUTSIDE DIAMETER	LENGTH	BEAD DIAMETER
26A-640	DETROIT	4"	6"	4.460
26A-650	CUMMINS	5"	6"	5.687



MANIFOLD FLANGE

USE WITH 4" MANIFOLD ADAPTOR 25-404

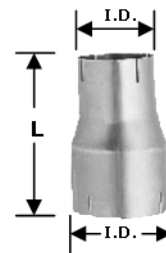
PART NUMBER	DIAMETER
27-404	4"



REDUCERS

TAIL PIPE REDUCERS FOR I.D. OUTLET

COLD ROLLED PART NUMBER	ALUMINIZED PART NUMBER	CHROME PLATED PART NUMBER	I.D. DIAMETER	I.D. DIAMETER	LENGTH
	28-250A	28-250CP	3"	2 1/2"	6"
	28-358A	28-358CP	3"	2 5/8"	6"
	28-375A	28-375CP	3"	2 3/4"	6"
28-353	28-353A	28-353CP	3.5"	3"	6"
28-430	28-430A	28-430CP	4"	3"	6"
28-435	28-435A	28-435CP	4"	3 1/2"	6"
28-540	28-540A	28-540CP	5"	4"	8"
	28-650A	28-650CP	6"	5"	8"



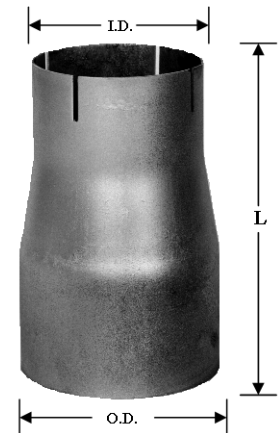
Heavy Duty Manufacturing, Inc.

Parts and Accessories

SERIES 29

TAIL PIPE REDUCERS FOR O.D. OUTLET

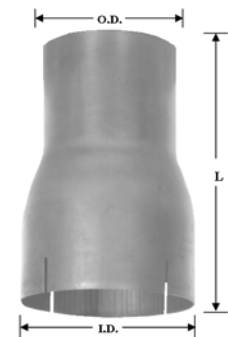
COLD ROLLED PART NUMBER	ALUMINIZED PART NUMBER	CHROME PLATED PART NUMBER	O.D. DIAMETER	I.D. DIAMETER	LENGTH
	29-350A	29-350CP	3"	2.5"	6"
	29-358A	29-358CP	3"	2 5/8"	6"
	29-375A	29-375CP	3"	2.75"	6"
29-353	29-353A	29-353CP	3.5"	3"	6"
29-430	29-430A	29-430CP	4"	3"	6"
29-435	29-435A	29-435CP	4"	3.5"	6"
29-540	29-540A	29-540CP	5"	4"	8"
	29-650A	29-650CP	6"	5"	8"



SERIES 29-A

TAIL PIPE REDUCERS FOR I.D. OUTLET

COLD ROLLED PART NUMBER	ALUMINIZED PART NUMBER	CHROME PLATED PART NUMBER	I.D. DIAMETER	O.D. DIAMETER	LENGTH
29A-430	29A-430A	29A-430CP	4"	3"	6"
29A-435	29A-435A	29A-435CP	4"	3.5"	6"
29A-540	29A-540A	29A-540CP	5"	4"	6"
	29A-650A	29A-650CP	6"	5"	8"



SERIES 29-B

TAIL PIPE REDUCERS O.D. / O.D.

COLD ROLLED PART NUMBER	ALUMINIZED PART NUMBER	CHROME PLATED PART NUMBER	O.D. DIAMETER	O.D. DIAMETER	LENGTH
29B-430	29B-430A	29B-430CP	4"	3"	6"
29B-435	29B-435A	29B-435CP	4"	3.5"	6"
29B-540	29B-540A	29B-540CP	5"	4"	6"



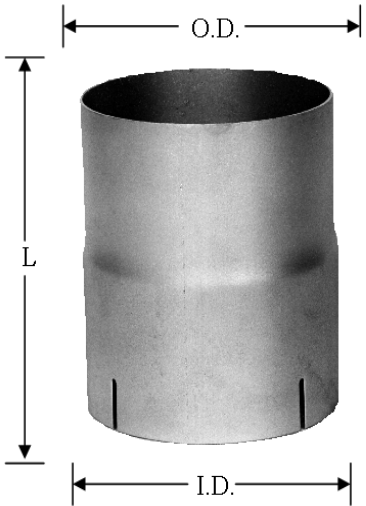
Heavy Duty Manufacturing, Inc.

Parts and Accessories



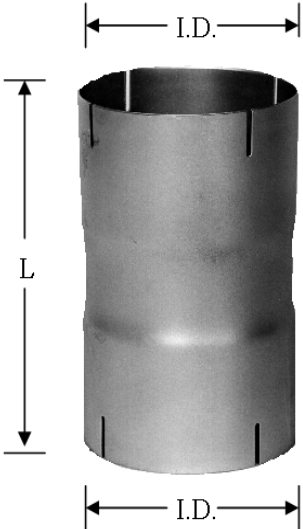
CONNECTOR ENDS

COLD ROLLED PART NUMBER	ALUMINIZED PART NUMBER	CHROME PLATED PART NUMBER	I.D.	O.D.	LENGTH
	30-200A		2"	2"	6"
	30-225A		2.25"	2.25"	6"
	30-250A		2.5"	2.5"	6"
	30-275A		2.75"	2.75"	6"
30-300	30-300A	30-300CP	3"	3"	6"
30-350	30-350A	30-350CP	3.5"	3.5"	6"
30-400	30-400A	30-400CP	4"	4"	6"
	30-450A	30-450CP	4.5"	4.5"	6"
30-500	30-500A	30-500CP	5"	5"	6"
	30-550A	30-550CP	5.5"	5.5"	5"
	30-600	30-600CP	6"	6"	5"



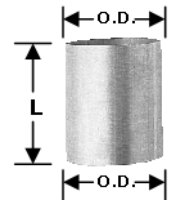
COUPLER

COLD ROLLED PART NUMBER	ALUMINIZED PART NUMBER	CHROME PLATED PART NUMBER	I.D.	LENGTH
	31-200A		2"	8"
	31-225A		2.25"	8"
	31-250A		2.5"	8"
	31-275A		2.75"	8"
31-300	31-300A	31-300CP	3"	8"
31-350	31-350A	31-350CP	3.5"	8"
31-400	31-400A	31-400CP	4"	8"
31S-400	31S-400A	31S-400CP	4"	6"
	31-450A	31-450CP	4.5"	6"
31-500	31-500A	31-500CP	5"	8"
31S-500	31S-500A	31S-500CP	5"	6"
	31-600A	31-600CP	6"	6"



COUPLER

COLD ROLLED PART NUMBER	ALUMINIZED PART NUMBER	CHROME PLATED PART NUMBER	OUTSIDE DIAMETER	LENGTH
	31A-200A		2"	8"
	31A-225A		2.25"	8"
	31A-250A		2.5"	8"
	31A-275A		2.75"	8"
31A-300	31A-300A	31A-300CP	3"	8"
31A-350	31A-350A	31A-350CP	3.5"	8"
31A-400	31A-400A	31A-400CP	4"	8"
31AS-400	31AS-400A	31AS-400CP	4"	6"
31A-500	31A-500A	31A-500CP	5"	8"
31AS-500	31AS-500A	31AS-500CP	5"	6"



90° ELBOWS

FOR AIR INLET SYSTEMS

SERIES 32

PART NUMBER	INSIDE DIAMETER
32-390	3"
32-3590	3.5"
32-490	4"
32-4590	4.5"
32-590	5"
32-5590*	5.5"
32-690*	6"
32-790*	7"
32-890*	8"

*FULLY RIBBED

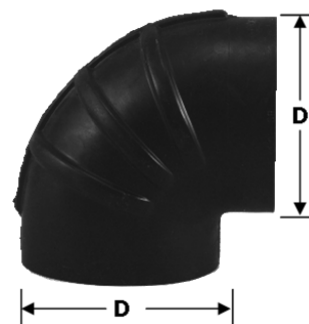


SHORT RADIUS 90° ELBOWS

DESIGNED FOR CLOSE APPLICATIONS

SERIES 32-A

PART NUMBER	DIAMETER
32A-5590	5.5"
32A-690	6"



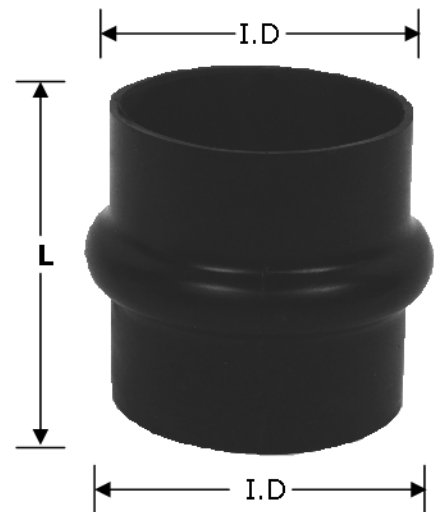
45° ELBOWS
FOR AIR INLET SYSTEMS

PART NUMBER	INSIDE DIAMETER
33-345	3"
33-3545	3.5"
33-445	4"
33-545	5"
33-5545	5.5"
33-645	6"
33-745	7"
33-845	8"



HUMP HOSE
FOR AIR INLET SYSTEM

PART NUMBER	INSIDE DIAMETER	LENGTH
34-3	3"	5.25"
34-35	3.5"	5.25"
34-4	4"	5.25"
34-5	5"	6"
34-55	5.5"	6"
34-6	6"	7"
34-7	7"	7"
34-8	8"	8"



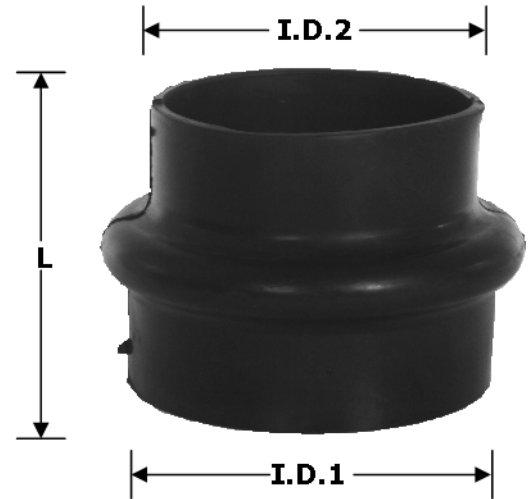
Heavy Duty Manufacturing, Inc.

Parts and Accessories

SERIES 35

REDUCERS FOR AIR INLET SYSTEMS

PART NUMBER	I.D. 1	I.D. 2	LENGTH
35-353	3.5"	3"	5.25"
35-43	4"	3"	5.25"
35-54	5"	4"	5.5"
35-554	5.5"	4"	6"
35-555	5.5"	5"	6"
35-65	6"	5"	6"
35-655	6"	5.5"	6"
35-755	7"	5.5"	6"
35-76	7"	6"	6"
35-855	8"	5.5"	6"
35-86	8"	6"	6"
35-87	8"	7"	6"



SERIES 36

AIR INLET CLAMP STAINLESS STEEL T-BOLT TYPE ALLOWS FLEXIBLE ASSEMBLY OF RUBBER ELBOWS AND ALUMINUM TUBING

PART NUMBER	DIAMETER
36-2	2"
36-225	2.25"
36-25	2.5"
36-275	2.75"
36-3	3"
36-35	3.5"
36-4	4"
36-45	4.5"
36-5	5"
36-55	5.5"
36-6	6"
36-7	7"
36-8	8"
36-10	10"



CLAMPS FOR SILICONE HOSE

LINED HOSE CLAMPS

PART NUMBER	MINIMUM TO MAXIMUM SIZE (INCHES)
36A-206	7/16 - 25/32
36A-208	1/2 - 29/32
36A-210	9/16 - 1-1/16
36A-212	11/16 - 1-1/4
36A-216	13/16 - 1-1/2
36A-220	13/16 - 1-3/4
36A-224	1-1/16 - 2
36A-228	1-5/16 - 2-1/4
36A-232	1-9/16 - 2-1/2
36A-236	1-13/16 - 2-3/4
36A-240	2-1/16 - 3
36A-244	2-5/16 - 3-1/4
36A-248	2-9/16 - 3-1/2
36A-252	2-13/16 - 3-3/4
36A-260	3-5/16 - 4-1/4



Stainless steel band, saddle and housing with a 5/16" HEX screw.

Recommended application up to 40 lbs-in torque.

Lined hose clamps seal silicone and other soft hoses without damage. The inner liner extends under the perforations to protect the hose and prevents extrusions through the worm-gear perforations.

CONSTANT TORQUE CLAMPS

PART NUMBER	MINIMUM TO MAXIMUM SIZE (INCHES)
36B-300	2-1/4 - 3-1/8
36B-350	2-3/4 - 3-5/8
36B-400	3-1/4 - 4-1/8
36B-450	3-3/4 - 4-5/8
36B-500	4-1/4 - 5-18



Stainless steel band, saddle and housing with a 5/16" HEX screw.

Recommended application up to 90 lbs-in torque. Typical applications are sealed systems where clamps cannot be retightened, systems where clamps are difficult to get to, extremes of heat or cold, or system expansion or contraction. These clamps are specifically recommended for bus, truck, and heavy duty equipment, air intake and coolant connections.

HIGH TORQUE CLAMPS

PART NUMBER	MINIMUM TO MAXIMUM SIZE (INCHES)
36C-500	4-1/4 - 5-1/8
36C-600	5-1/4 - 6-1/8
36C-700	6-1/4 - 7-1/8
36C-800	7-1/4 - 8-1/8
36C-900	8-1/4 - 9-1/8



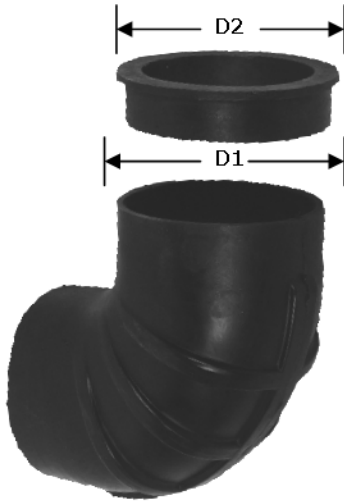
Stainless steel band, saddle and housing with a 5/16" HEX screw.

Recommended application up to 150 lbs-in torque. High torque clamps are super heavy-duty and are recommended for diameters over 2". This clamp ensures total protection against leakage and eliminates the need for double clamping.



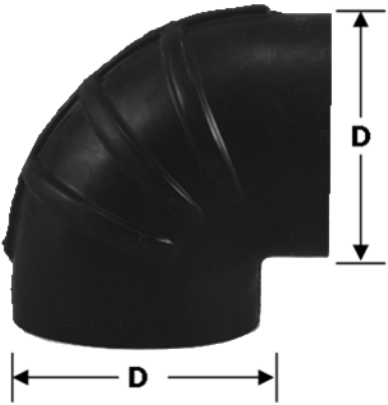
INSERT SLEEVE REDUCERS FOR RUBBER ELBOWS AND HUMP HOSES

PART NUMBER	INSIDE DIAMETER	OUTSIDE DIAMETER
37-454	4.5"	4"
37-54	5"	4"
37-545	5"	4.5"
37-554	5.5"	4"
37-555	5.5"	5"
37-65	6"	5"
37-655	6"	5.5"
37-76	7"	6"



SPECIAL REDUCING 90° ELBOWS

PART NUMBER	D-1	D-2
38-555	5.5"	5"
38-65	6"	5"
38-655	6"	5.5"
38-755	7"	5.5"
38-7590	7"	5"
38-76	7"	6"



Heavy Duty Manufacturing, Inc.

Parts and Accessories

SERIES 39

AIR HOOD

FOR CAB OVER STYLE TRUCKS

THE AIR HOOD REDUCES ENGINE AIR RESTRICTION AND ELIMINATES MOISTURE PROBLEMS. EVENLY SPACED LOUVERS ALONG THE SIDE OF THE HOOD TO INSURE A CONTINUOUS FLOW OF AIR TO THE ENGINE SHOULD THE FRONT SCREEN GET PLUGGED BY LEAVES, FREEZING RAIN OR SNOW. FACING FORWARD THE AIR HOOD SCOOPS IN CLEAN AIR. SEPARATES MOISTURE AND RE-ENTRY OF SOOTY EXHAUST AIR, GREATLY EXTENDING FILTER ELEMENT LIFE



PART NUMBER	INLET SIZE	STYLE
39-6	6"	BLACK WITH BRIGHT FINISHING LOUVERS
39-7	7"	BLACK WITH BRIGHT FINISHING LOUVERS
39-8	8"	BLACK WITH BRIGHT FINISHING LOUVERS

SERIES 40

ALUMINUM INTAKE TUBING

PART NUMBER	O.D.	LENGTH	WALL THICKNESS
40-5	5"	10'	0.052
40-55	5.5"	10'	0.065
40-6	6"	10'	0.058
40-7	7"	10'	0.064
40-8	8"	10'	0.064



TO ORDER CALL 1-800-241-0551

1-PLY SILICONE HEATER HOSE

EXTRUDED HEATER HOSES MEET OR EXCEED THE REQUIREMENTS OF THE SAE J20 R3 CLASS A SPECIFICATION. THE SILICONE HOSES ARE REINFORCED WITH POLYESTER FABRIC. AN ARAMID FIBER REINFORCEMENT IS AVAILABLE FOR HIGH TEMPERATURE APPLICATIONS UP + 500 DEGREES F. HEATER HOSES ARE RESISTANT TO COOLANT SOLUTIONS, COLD LEAKS, CRACKING, PEELING, AGING AND OZONE.



APPLICATIONS: *Standard equipment on trucks, cars and buses. Not recommended for fuel or oil transfer use.*

Tempertaure - Low / High	-65°F to + 350°F
Abrasion - Interior/Exterior	Good / Good
Flexibility	Excellent
Pressure	Positive
Chemical	Good
Standard Length	25' to 50' (Heater)
Size - ID	.250" to 1.25" ID

PART NUMBER	DIAMETER I.D.	DIAMETER O.D.	LENGTH (FEET)	MINIMUM BURST PRESSURE P.S.I.	MINIMUM OPERATING PRESSURE P.S.I.
42-250-25	0.250	0.56	25	250	60
42-250-50	0.250	0.56	50	250	60
42-313-25	0.313	0.63	25	250	60
42-313-50	0.313	0.63	50	250	60
42-375-25	0.375	0.69	25	250	60
42-375-50	0.375	0.69	50	250	60
42-500-25	0.500	0.81	25	250	60
42-500-50	0.500	0.81	50	250	60
42-625-25	0.625	0.93	25	250	60
42-625-50	0.625	0.93	50	250	60
42-750-25	0.750	1.06	25	200	50
42-750-50	0.750	1.06	50	200	50
42-875-25	0.875	1.24	25	175	40
42-875-50	0.875	1.24	50	175	40
42-100-25	1.00	1.36	25	175	40
42-100-50	1.00	1.36	50	175	40
42-125-25	1.25	1.58	25	175	40
42-125-50	1.25	1.58	50	175	40

Heavy Duty Manufacturing, Inc.

Parts and Accessories

SERIES 43

3-PLY SILICONE COOLANT HOSE

SPECIALY COATED SILICONE ELASTOMER WITH WOVEN POLYESTER FABRIC VULCANIZED AND POST CURED FOR MAXIMUM PLY ADHESION AND SERVICE LIFE. MEETS SAE J20R1 CLASS A STANDARD WALL.



APPLICATIONS: *Low pressure coolant and heat connections in hostile engine environments. Resists aging, ozone, chemicals, lubricants, hardening and cracking. Ideal for extreme temperature and various pressure ranges where high performance levels are required.*

Tempertaure - Low / High	-65°F to + 350°F
Abrasion - Interior/Exterior	Good / Good
Flexibility	Excellent
Pressure	Positive
Chemical	Good
Standard Length	3' (Coolant)
Size - ID	.50" to 6" ID (Coolant)

PART NUMBER	DIAMETER I.D.	DIAMETER O.D.	MINIMUM BURST PRESSURE P.S.I.	MINIMUM OPERATING PRESSURE P.S.I.
43-500-3	0.500	0.87	425	115
43-625-3	0.625	1.00	375	90
43-750-3	0.750	1.12	325	80
43-875-3	0.875	1.25	325	80
43-1000-3	1.000	1.37	300	75
43-1125-3	1.125	1.50	300	75
43-1250-3	1.250	1.62	275	65
43-1375-3	1.375	1.75	275	65
43-1500-3	1.500	1.87	250	60
43-1750-3	1.750	2.12	225	55
43-2000-3	2.000	2.37	200	50
43-2250-3	2.250	2.62	175	40
43-2375-3	2.375	2.75	175	40
43-2500-3	2.500	2.87	150	35
43-2625-3	2.625	3.00	150	35
43-2750-3	2.750	3.12	125	30
43-3000-3	3.000	3.37	100	25
43-3500-3	3.500	3.87	75	15
43-4000-3	4.000	4.37	50	10
43-4500-3	4.500	4.87	50	10
43-5000-3	5.000	5.37	50	10

TO ORDER CALL 1-800-241-0551

SILICONE CHARGE AIR COOLER HOSE (CAC)



HOT SIDE CAC HOSE. 4-PLY ARAMID REINFORCED WITH HIGH STRENGTH RESTRICTOR RINGS

APPLICATIONS: For superior connection between engine mounted charge air system components. Ideal for handling slight misalignments and isolating vibration between hose ends

PART NUMBER	I.D.	O.D.	LENGTH (INCHES)
44-250	2.50	2.71	6
44-300	3.000	3.21	6
44-3035	3.00/3.50	3.21/3.71	6
44-350	3.50	3.71	6
44-3540	3.50/4.00	3.71/4.21	6
44-400	4.00	4.21	6

Heavy Duty Manufacturing, Inc.

MUFFLER SPECIFICATIONS

Specifications by Part Number

H.D. PART NO.	STYLE	INLET I.D. A	BODY DIA B	BODY LENGTH C	OVERALL D	OUTLET I.D. E	OFFSET		LOC. H	INLET TUBE LENGTH I	LENGTH J	OUT TUBE FROM END CENTER		CLOCK POSITION	
							INLET F	OUTLET G				K	L	INLET	OUTLET
30015	1	4.00	10.00	28.00	33.50	4.00					2.75				
30077	2	5.00	11.09	44.00	50.00	5.00	2.50	2.50			3.00			6:00	12:00
30781	1	4.00	9.00	44.50	51.00	5.00					3.00				
31001	2	2.75	7.00	35.00	40.50	2.75 OD	1.75	1.75			2.50			6:00	12:00
31002	2	2.00	6.00	24.00	29.00	2.00	1.50	1.50			2.50			6:00	12:00
31003	2	2.50	6.00	21.25	26.69	2.00	1.38	1.50			2.69			6:00	2:00
31004	2	2.50	6.62	28.00	35.00	2.50	1.62	1.62			3.50			6:00	12:00
31008	2	2.75	7.00	31.25	36.25	2.25	1.50	1.75			2.50			6:00	12:00
31009	2	3.25	7.00	27.00	32.00	2.50	1.44	1.82			2.50			6:00	12:00
31015	2	3.00	8.50	31.25	36.25	3.00	2.00	2.00			2.50			6:00	12:00
31016	2A	2.5 (2)	8.50	38.00	43.00	3.00	1.62	2.00			2.50			4 & 8	12:00
31018	2	3.50	8.50	38.00	43.00	3.00	1.75	2.00			2.50			6:00	12:00
31019	2	3.00	8.50	27.75	33.75	3.00	2.00	2.00			3.50			6:00	12:00
31020	1	4.00	9.00	44.50	51.00	4.00					3.00				
31021	1	5.00	9.00	44.50	51.00	5.00					3.00				
31022	1	4.00	9.00	44.50	51.00	4.00					3.00				
31023	1	5.00	9.00	44.50	51.00	5.00					3.00				
31024	R 1	5.00	9.00	10.00	16.50	5.00									
31025	1	3.50	9.00	44.50	51.00	3.50					3.00				
31026	2	3.50	8.25 X 11.5	26.00	32.25	3.50	2.50	2.50			3.12			9:00	3:00
31028	2	4.00	11.12	34.75	42.50	4.00	3.12	3.12			4.25			6:00	12:00
31031	2	4.00	10.08	27.75	33.50	4.00	2.44	2.44			2.88			6:00	12:00
31032	5	4.00	10.08	27.75	30.88	4.00	2.44	2.44			2.88			6:00	12:00
31034	2	2.50	6.62	18.81	23.00	2.50	1.62	1.62			1.50			6:00	12:00
31035	2	5.00	10 X 15	36.00	42.50	5.00	3.12	3.12			3.25			9:00	3:00
31036	2	4.00	10 X 15	26.00	32.50	4.00	4.25	4.25			3.25			9:00	3:00
31037	2	5.00	10 X 15	26.00	32.50	5.00	3.12	3.12			3.25			9:00	3:00
31038	1	3.00	8.00	12.18	17.00	3.13 OD					1.38				
31043	2	4.00	10.12	35.38	41.75	4.00	2.44	2.44			2.88			6:00	12:00
31045	1	4.00	10.08	44.50	51.00	5.00					3.00				
31063	1	5.00	10.08	44.50	51.00	5.00					3.00				
31074	1	2.00	4.38	12.50	17.00	2.12 OD					2.50				
31075	3	1.68	4.38	13.50	15.78	1.65			2.75	4.00				6:00	
31076	1	2.50	6.62	15.00	22.00	2.61 OD					3.50				
31077	1	2 1/2 NPT	6.00	15.00	18.12	2 1/2 NPT					1.56				
31078	2	3.00	8.50	27.50	32.00	3.00	2.00	2.00			1.50			6:00	12:00
31080	3	2.00	6.00	18.81	21.50	2.00		1.50	3.50	5.00				6:00	9:00
31081	3	2.50	6.62	20.81	23.50	2.50		1.62	3.50	6.00				6:00	9:00
31082	2	2.00	6.00	16.90	21.90	2.00	1.50	1.50			2.50			6:00	
31083	3	4.00	9.00	44.50	48.00	5.00			3.81	6.69				6:00	12:00
31084	1	3 NPT	7.00	14.00	19.75	3 NPT					2.38				
31085	1	3.50	7.00	14.00	19.75	3.50					2.38				
31086	1	3 1/2 NPT	7.00	18.38	25.62	3 1/2 NPT					3.00				
31096	1	4.00	8.50	34.38	40.00	4.00					2.50				
31102	3	3.00	8.50	26.25	29.50	3.00		2.00	3.50	6.75				6:00	9:00
31104	2	3.00	8.50	20.50	25.00	3.00	2.00	2.00			1.50			6:00	12:00
31109	R 1	4.00	9.00	10.00	16.50	4.00									
31112	1	4 NPT	9.00	20.00	26.00	4 NPT					3.00				
31113	1	5 NPT	9.00	32.00	38.00	5 NPT					3.00				
31119	1	4.00	9.00	44.50	51.00	4.00					3.00				
31123	2	4.00	8.25 X 11.5	26.00	32.25	4.00	2.50	2.50			3.12			9:00	3:00
31125	2	3.00	8.6 X 11.8	26.00	33.75	3.00	2.50	2.50			3.88			9:00	9:00
31126	2	3.00	8.25 X 11.5	26.00	33.75	3.00	2.50	2.50			3.88			9:00	9:00
31127	2	4.00	8.25 X 11.5	26.00	32.25	3.50	2.50	2.50			3.12			9:00	3:00

Heavy Duty Manufacturing, Inc.

MUFFLER SPECIFICATIONS

H.D. PART NO.	STYLE	INLET I.D. A	BODY DIA B	BODY LENGTH C	OVERALL D	OUTLET I.D. E	OFFSET		LOC. H	INLET TUBE LENGTH I	LENGTH J	OUT TUBE FROM END CENTER		CLOCK POSITION	
							INLET F	OUTLET G				K	L	INLET	OUTLET
31133	4	4.00	8.25 X 11.5	26.00	29.88	4.00	2.50				3.88	15.20	6.00	9:00	5:30
31136	3	3.50	8.25 X 11.5	26.12	29.25	3.50		2.50	3.25	7.00				6:00	9:00
31139	4	4.00	10.12	27.75	31.00	4.00	2.44				3.00	24.25	8.75	4:00	12:00
31142	3	4.00	10.12	28.00	32.25	4.00		2.44	4.50	8.00				6:00	9:00
31143	1	5.00	11.09	50.50	57.00	5.00					3.00				
31148	1	4.00	10.37	44.50	51.00	4.00					3.00				
31149	1	4.00	10.37	44.50	51.00	4.00					3.00				
31150	3	5.00	10.08	44.50	48.25	5.00		5.50	7.50					6:00	
31163	1	5.00	10.12	60.00	66.50	5.00					3.00				
31164	1	4.00	10.08	44.50	51.00	4.00					3.00				
31165	1	5.00	10.08	44.50	51.00	5.00					3.00				
31166	1	4.00	10.08	44.50	51.00	4.00					3.00				
31167	1	5.00	10.12	44.50	51.00	5.00					3.00				
31173	4	4.00	10 X 15	21.88	24.88	4.00	4.25				2.88	7.25	9.80	9:00	3:00
31179	5	4.00	10 X 15	26.00	28.38	4.00	4.25	4.25			3.00			9:00	3:00
31181	5	5.00	10 X 15	26.00	29.38	5.00	3.12	3.12			3.25			9:00	3:00
31183	5	4.00	10.3 X 15.3	36.12	39.12	4.00	0.50	4.25			3.00				3:00
31186	4	4.00	10.3 X 15.3	36.12	39.12	4.00	4.25				3.00	3.94	8.50	9:00	11:00
31189	2	4.00	11.09	36.00	41.25	4.00	2.50	2.50			2.62			6:00	12:00
31191	3	5.00	10 X 15	35.88	40.00	5.00		3.12	6.00	8.00				6:00	9:00
31197	2	6.00	10 X 15	31.75	42.50	6.00	3.59	3.59			5.38			9:00	3:00
31199	2	5.00	10 X 15	26.00	32.50	5.00	3.12	3.12			3.25			9:00	3:00
31200	5	5.00	10 X 15	26.00	29.38	5.00	3.12	3.12			3.25			9:00	3:00
31202	3	4.00	10 X 15	15.00	21.57	3.85 OD		4.40	3.25	10.80				3:00	3:00
31204	2	4.00	10.3 X 15.3	36.12	42.00	4.00	4.25	0.50			2.94			9:00	3:00
31209	2	6.00	14.2 X 21.12	35.00	47.00	6.00	5.25	5.25			6.00			9:00	3:00
31211	2	8.00	16.12 X 24.12	45.00	57.00	8.00	6.00	6.00			6.00			9:00	9:00
31212	2A	2.5 (2)	8.50	31.25	36.25	3.00	1.62	2.00			2.50			4 & 8	12:00
31214	4	3.50	8.25 X 11.5	32.56	35.16	4.00	2.50				2.60	20.48	6.42	3:00	1:00
31215	4	3.50	8.25 X 11.5	32.56	35.16	4.00 OD	2.50				2.60	20.48	9.25	3:00	6:30
31217	4	4.00	10.3 X 15.3	43.19	48.98	4.00	4.25				4.50	37.94	9.50	9:00	3:00
31218	4	5.00	10 X 15	36.00	39.25	5.00	3.12				3.12	28.50	9.50	9:00	3:00
31219	2	2.50	6.00	29.00	34.44	2.00	1.38	1.50			2.69			6:00	12:00
31223	2A	2.5 (2)	8.50	30.00	39.00	2.75	1.62	2.00			2.50			4 & 8	6:00
31224	1	5.00	10.08	44.50	51.00	5.00					3.00				
31225	2	4.00	8.25 X 11.5	26.00	33.75	4.00	2.50	2.50			3.88			9:00	3:00
31226	2A	2.75 (2)	8.25 X 11.5	27.00	32.75	4.00	4.00	2.50			2.63			CTR+9:00	9:00
31227	2	3.50	8.25 X 11.5	26.00	32.25	4.00	2.50	2.50			3.12			9:00	3:00
31230	2	4.00	11.09	30.00	36.00	4.00	2.50	2.50			3.00			6:00	12:00
31231	4	5.00	11.09	46.00	51.75	5.00	2.50				4.25	38.50	8.50	12:00	6:00
31232	4	4.00	11.09	30.00	33.25	4.00	2.50				3.00	4.25	9.00	12:00	10:00
31233	4	4.00	11.09	36.00	39.25	4.00	2.50				3.00	4.25	9.00	12:00	10:00
31234	2	6.00	12.12 X 18.12	30.00	38.00	6.00	4.50	4.50			4.00			9:00	3:00
31235	4	2.00	6.00	18.81	21.50	2.00	1.50				2.69	3.50	5.00	9:00	12:00
31236	4	2.50	6.62	20.81	24.45	2.50	1.62				2.69	3.50	6.00	9:00	12:00
31237	4	3.00	8.50	26.50	29.50	3.00	2.00				3.25	3.50	6.75	9:00	12:00
31238	4	3.50	8.25 X 11.5	26.00	29.25	3.50	2.50				3.12	3.38	7.00	9:00	12:00
31239	4	4.00	10.12	28.00	32.25	4.00	2.44				4.00	4.25	8.00	3:00	6:00
31240	4	5.00	10 X 15	28.00	32.12	5.00	3.12				4.00	4.75	8.00	9:00	12:00
31241	5	2.00	6.00	16.90	19.40	2.00	1.50	1.50			2.50			6:00	12:00
31242	5	2.50	6.62	20.00	21.50	2.50	1.62	1.62			1.50			6:00	12:00
31243	5	3.00	8.50	22.00	23.50	3.00	2.00	2.00			1.50			6:00	12:00
31244	5	3.50	8.25 X 11.5	22.00	25.12	3.50	2.50	2.50			3.12			9:00	3:00
31245	6	2.00	6.00	18.81	18.81	2.00			3.50	5.00		3.50	5.00	6:00	12:00
31246	6	2.50	6.62	20.81	20.81	2.50			3.50	6.00		3.50	6.00	6:00	12:00
31247	6	3.00	8.50	27.00	27.00	3.00			3.50	6.75		3.50	6.75	6:00	12:00
31248	6	3.50	8.25 X 11.5	26.00	26.00	3.50			3.38	7.00		3.38	7.00	6:00	12:00
31249	6	4.00	10.12	28.00	30.62	4.00			4.50	8.00		4.50	8.00	6:00	12:00
31250	6	5.00	10 X 15	28.00	28.25	5.00			5.00	8.00		5.00	8.00	6:00	12:00

Heavy Duty Manufacturing, Inc.

MUFFLER SPECIFICATIONS

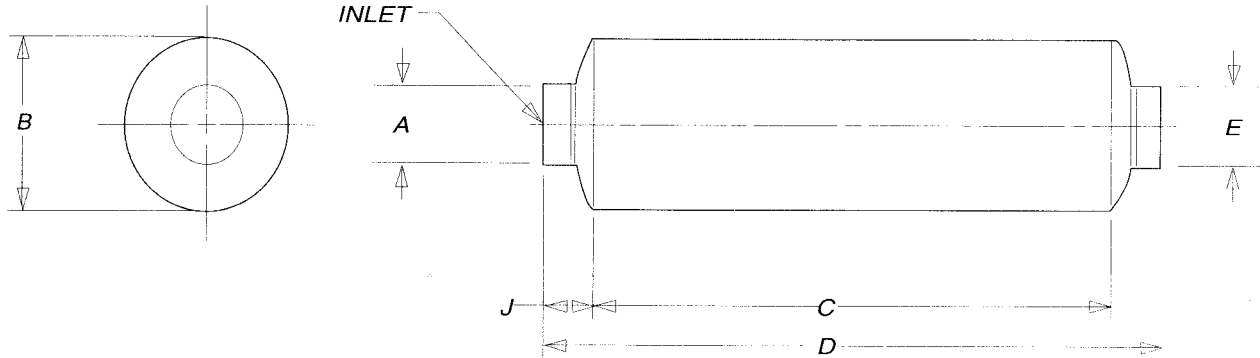
H.D. PART NO.	STYLE	INLET I.D. A	BODY DIA B	BODY LENGTH C	OVERALL D	OUTLET I.D. E	OFFSET		LOC. H	INLET TUBE		OUTTUBE FROM END CENTER		CLOCK POSITION	
							INLET F	OUTLET G		LENGTH I	LENGTH J	K	L	INLET	OUTLET
31251	1	2 NPT	6.00	15.00	20.38	2 NPT					2.69				
31252	1	4.00	9.00	20.00	26.50	4.00					3.00				
31253	1	5.00	9.00	20.00	26.50	5.00					3.00				
31254	3	2.22	4.38	19.50	36.75	2 OD			1.75	5.44				6:00	
31293	1	2.88 FLNG	8.50	31.62	46.25	3.16 OD					NONE				
31367	4	4.00	10 X 15	30.38	34.00	4.00	4.25				3.50	22.87	10.50	9:00	3:00
31388	3	4.00	8.25 X 11.5	28.56	31.16	4.00	2.50	5.28	6.25					9:00	3:00
31391	1	4.38	9.00	17.81	26.75	4.49 OD					4.81				
31479	3	4.00	11.09	36.00	39.00	4.00	2.50	4.25	8.64					6:00	3:00
31480	3	4.00	11.09	36.00	44.59	4 O.D	2.50	3.75	8.64					9:00	12:00
31481	6	4.00	11.09	36.00	36.18	4.00		4.25	8.64			17.25	8.64	12:00	10:00
31482	6	4.00	11.09	36.00	36.18	4 OD		4.25	8.64			13.50	9.50	12:00	2:00
31483	6	4.00	11.09	36.00	36.18	4 OD		3.75	8.64			7.34	9.50	12:00	9:00
31514	1	4.00	9.00	44.50	51.00	5.00					3.00				
31566	3	4.00	10 X 15	21.00	25.25	5.00	4.25	3.13	10.80					3:00	3:00
31580	1	5.00	10.08	44.50	51.00	5.00					3.00				
31582	1	5.00	10.08	44.50	51.00	5.00					3.00				
31584	3	3.50	8.50	27.00	29.50	3.00	2.00	4.50	7.25					6:00	9:00
31680	2	3.50	8.25 X 11.5	30.00	36.25	4.00	2.50	2.50			3.12			9:00	3:00
31741	1	5.00	10.12	44.50	51.00	5.00					3.00				
31808	3	4.00	9.00	42.00	45.00	4.00		4.25	7.50					6:00	
31845	1	4.00	10.12	36.00	40.75	4.00					1.75				
31129W	2	3.50	8.6 X 11.8	26.00	32.25	3.50	2.50	2.50			3.12			9:00	3:00
31267S	2A	2.5(2)FLNG	8.73	30.00	38.97	2.98 OD	1.62	2.00			5.75&3.22			4 & 8	12:00
31308S	2A	2.5 (2)	8.50	30.00	39.00	2.75	1.62	2.00			2.50			4 & 8	6:00
31309W	2	2.50	7.30	36.00	48.00	2.5 OD	1.82	1.82			2.50			6:00	12:00
31327W	3	2.41	10.43	34.36	37.36	3.00			4.68	9.00		6.00		OFF 3	
31592W	2	4.00	10.3 X 15.3	44.00	50.00	5.00	4.25	3.59			2.94			9:00	3:00
9XD-606	1	6.00	9.00	44.75	52.00	6.00					3.63				

W = WRAPPED

S = STAINLESS STEEL

Heavy Duty Manufacturing, Inc.

MUFFLER SPECIFICATIONS



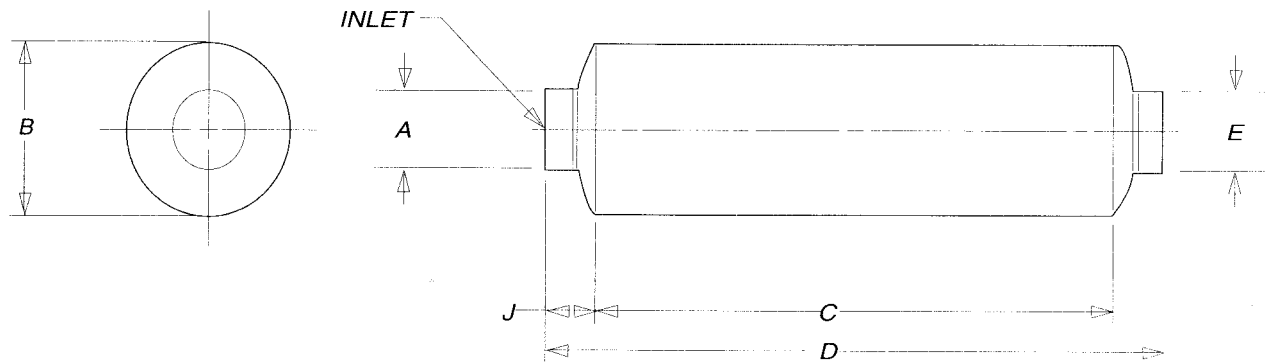
Specifications by Style and Inlet

style 1

H.D. PART NO.	INLET I.D. A	BODY DIA B	SHELL C	OVERALL D	OUTLET I.D. E	INLET TUBE LENGTH J
31074	2.00	4.38	12.50	17.00	2.12 OD	2.50
31251	2 NPT	6.00	15.00	20.38	2 NPT	2.69
31076	2.50	6.62	15.00	22.00	2.61 OD	3.50
31077	2.5 NPT	6.00	15.00	18.12	2.5 NPT	1.56
31293	2.88 FLNG	8.50	31.62	46.25	3.16 OD	NONE
31038	3.00	8.00	12.18	17.00	3.13 OD	1.38
31084	3 NPT	7.00	14.00	19.75	3 NPT	2.38
31085	3.50	7.00	14.00	19.75	3.50	2.38
31025	3.50	9.00	44.50	51.00	3.50	3.00
31086	3 1/2 NPT	7.00	18.38	25.62	3 1/2 NPT	3.00
31096	4.00	8.50	34.38	40.00	4.00	2.50
30781	4.00	9.00	44.50	51.00	5.00	3.00
31020	4.00	9.00	44.50	51.00	4.00	3.00
31022	4.00	9.00	44.50	51.00	4.00	3.00
31119	4.00	9.00	44.50	51.00	4.00	3.00
31252	4.00	9.00	20.00	26.50	4.00	3.00
31514	4.00	9.00	44.50	51.00	5.00	3.00
30015	4.00	10.00	28.00	33.50	4.00	2.75
31045	4.00	10.08	44.50	51.00	5.00	3.00
31164	4.00	10.08	44.50	51.00	4.00	3.00
31166	4.00	10.08	44.50	51.00	4.00	3.00
31845	4.00	10.12	36.00	40.75	4.00	1.75
31148	4.00	10.37	44.50	51.00	4.00	3.00
31149	4.00	10.37	44.50	51.00	4.00	3.00
31112	4 NPT	9.00	20.00	26.00	4 NPT	3.00
31391	4.38	9.00	17.81	26.75	4.49 OD	4.81
31021	5.00	9.00	44.50	51.00	5.00	3.00

Heavy Duty Manufacturing, Inc.

MUFFLER SPECIFICATIONS



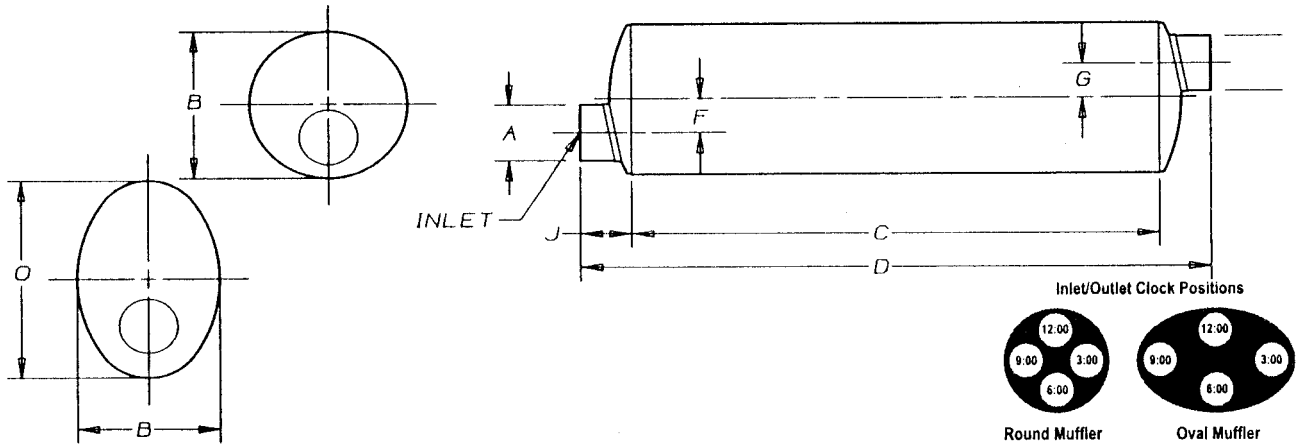
Specifications by Style and Inlet

style 1

H.D. PART NO.	INLET I.D. A	BODY DIA B	SHELL C	OVERALL D	OUTLET I.D. E	INLET TUBE LENGTH J
31023	5.00	9.00	44.50	51.00	5.00	3.00
31253	5.00	9.00	20.00	26.50	5.00	3.00
31063	5.00	10.08	44.50	51.00	5.00	3.00
31165	5.00	10.08	44.50	51.00	5.00	3.00
31224	5.00	10.08	44.50	51.00	5.00	3.00
31580	5.00	10.08	44.50	51.00	5.00	3.00
31582	5.00	10.08	44.50	51.00	5.00	3.00
31163	5.00	10.12	60.00	66.50	5.00	3.00
31167	5.00	10.12	44.50	51.00	5.00	3.00
31741	5.00	10.12	44.50	51.00	5.00	3.00
31143	5.00	11.09	50.50	57.00	5.00	3.00
31113	5 NPT	9.00	32.00	38.00	5 NPT	3.00
9XD-606	6.00	9.00	44.75	52.00	6.00	3.63

Heavy Duty Manufacturing, Inc.

MUFFLER SPECIFICATIONS



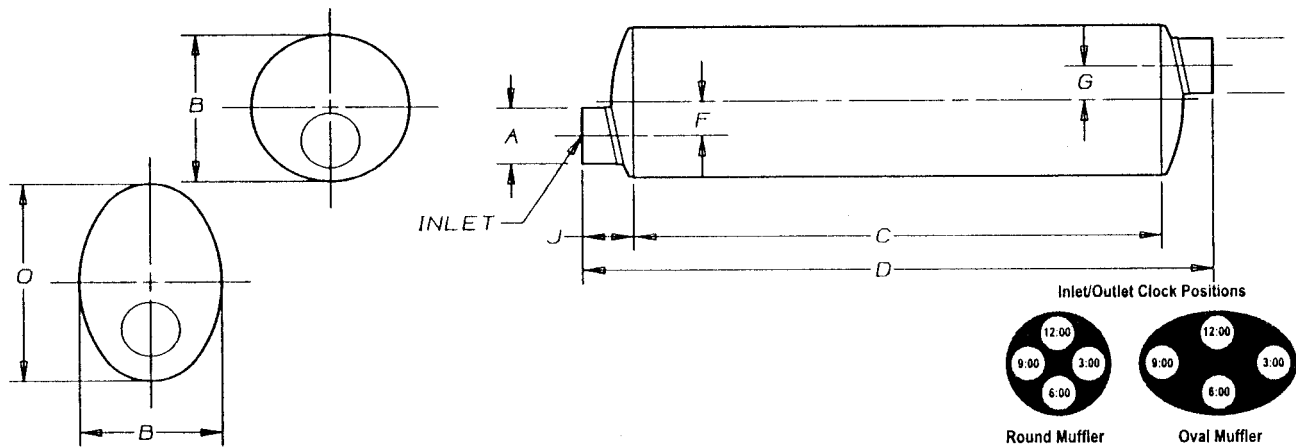
Specifications by Style and Inlet

style 2

H.D. PART NO.	INLET I.D. A	BODY DIA B	SHELL C	OVERALL D	OUTLET I.D. E	OFFSET		INLET TUBE LENGTH J	CLOCK POSITION	
						INLET F	OUTLET G		INLET	OUTLET
31002	2.00	6.00	24.00	29.00	2.00	1.50	1.50	2.50	6:00	12:00
31082	2.00	6.00	16.90	21.90	2.00	1.50	1.50	2.50	6:00	
31003	2.50	6.00	21.25	26.69	2.00	1.38	1.50	2.69	6:00	2:00
31219	2.50	6.00	29.00	34.44	2.00	1.38	1.50	2.69	6:00	12:00
31004	2.50	6.62	28.00	35.00	2.50	1.62	1.62	3.50	6:00	12:00
31034	2.50	6.62	18.81	23.00	2.50	1.62	1.62	1.50	6:00	12:00
31309W	2.50	7.30	36.00	48.00	2.5 OD	1.82	1.82	2.50	6:00	12:00
31001	2.75	7.00	35.00	40.50	2.75 OD	1.75	1.75	2.50	6:00	12:00
31008	2.75	7.00	31.25	36.25	2.25	1.50	1.75	2.50	6:00	12:00
31015	3.00	8.50	31.25	36.25	3.00	2.00	2.00	2.50	6:00	12:00
31019	3.00	8.50	27.75	33.75	3.00	2.00	2.00	3.50	6:00	12:00
31078	3.00	8.50	27.50	32.00	3.00	2.00	2.00	1.50	6:00	12:00
31104	3.00	8.50	20.50	25.00	3.00	2.00	2.00	1.50	6:00	12:00
31107	3.00	8.50	27.75	33.75	3.00	2.00	2.00	3.50	6:00	12:00
31126	3.00	8.25 X 11.5	26.00	33.75	3.00	2.50	2.50	3.88	9:00	9:00
31125	3.00	8.6 X 11.8	26.00	33.75	3.00	2.50	2.50	3.88	9:00	9:00
31009	3.25	7.00	27.00	32.00	2.50	1.44	1.82	2.50	6:00	12:00
31018	3.50	8.50	38.00	43.00	3.00	1.75	2.00	2.50	6:00	12:00
31026	3.50	8.25 X 11.5	26.00	32.25	3.50	2.50	2.50	3.12	9:00	3:00
31227	3.50	8.25 X 11.5	26.00	32.25	4.00	2.50	2.50	3.12	9:00	3:00
31680	3.50	8.25 X 11.5	30.00	36.25	4.00	2.50	2.50	3.12	9:00	3:00
31129W	3.50	8.6 X 11.8	26.00	32.25	3.50	2.50	2.50	3.12	9:00	3:00
31123	4.00	8.25 X 11.5	26.00	32.25	4.00	2.50	2.50	3.12	9:00	3:00
31127	4.00	8.25 X 11.5	26.00	32.25	3.50	2.50	2.50	3.12	9:00	3:00
31225	4.00	8.25 X 11.5	26.00	33.75	4.00	2.50	2.50	3.88	9:00	3:00

Heavy Duty Manufacturing, Inc.

MUFFLER SPECIFICATIONS



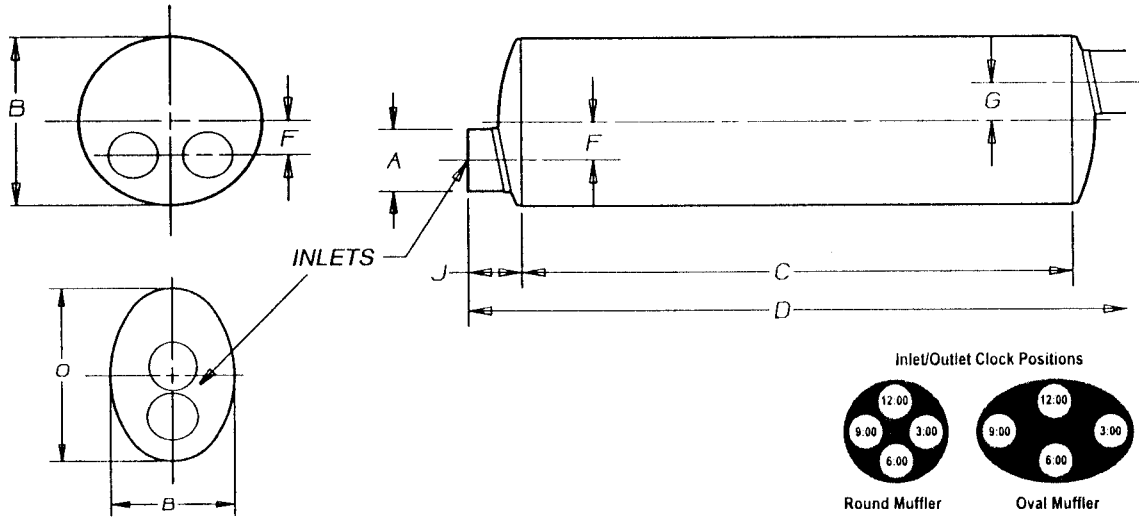
Specifications by Style and Inlet

style 2

H.D. PART NO.	INLET I.D. A	BODY DIA B	SHELL C	OVERALL D	OUTLET I.D. E	OFFSET		INLET TUBE LENGTH J	CLOCK POSITION	
						INLET F	OUTLET G		INLET	OUTLET
31031	4.00	10.08	27.75	33.50	4.00	2.44	2.44	2.88	6:00	12:00
31043	4.00	10.12	35.38	41.75	4.00	2.44	2.44	2.88	6:00	12:00
31036	4.00	10 X 15	26.00	32.50	4.00	4.25	4.25	3.25	9:00	3:00
31204	4.00	10.3 X 15.3	36.12	42.00	4.00	4.25	0.50	2.94	9:00	3:00
31592W	4.00	10.3 X 15.3	44.00	50.00	5.00	4.25	3.59	2.94	9:00	3:00
31189	4.00	11.09	36.00	41.25	4.00	2.50	2.50	2.62	6:00	12:00
31230	4.00	11.09	30.00	36.00	4.00	2.50	2.50	3.00	6:00	12:00
31028	4.00	11.12	34.75	42.50	4.00	3.12	3.12	4.25	6:00	12:00
31035	5.00	10 X 15	36.00	42.50	5.00	3.12	3.12	3.25	9:00	3:00
31037	5.00	10 X 15	26.00	32.50	5.00	3.12	3.12	3.25	9:00	3:00
31199	5.00	10 X 15	26.00	32.50	5.00	3.12	3.12	3.25	9:00	3:00
30077	5.00	11.09	44.00	50.00	5.00	2.50	2.50	3.00	6:00	12:00
31197	6.00	10 X 15	31.75	42.50	6.00	3.59	3.59	5.38	9:00	3:00
31234	6.00	12.12 X 18.12	30.00	38.00	6.00	4.50	4.50	4.00	9:00	3:00
31209	6.00	14.2 X 21.12	35.00	47.00	6.00	5.25	5.25	6.00	9:00	3:00
31211	8.00	16.12 X 24.12	45.00	57.00	8.00	6.00	6.00	6.00	9:00	9:00

Heavy Duty Manufacturing, Inc.

MUFFLER SPECIFICATIONS



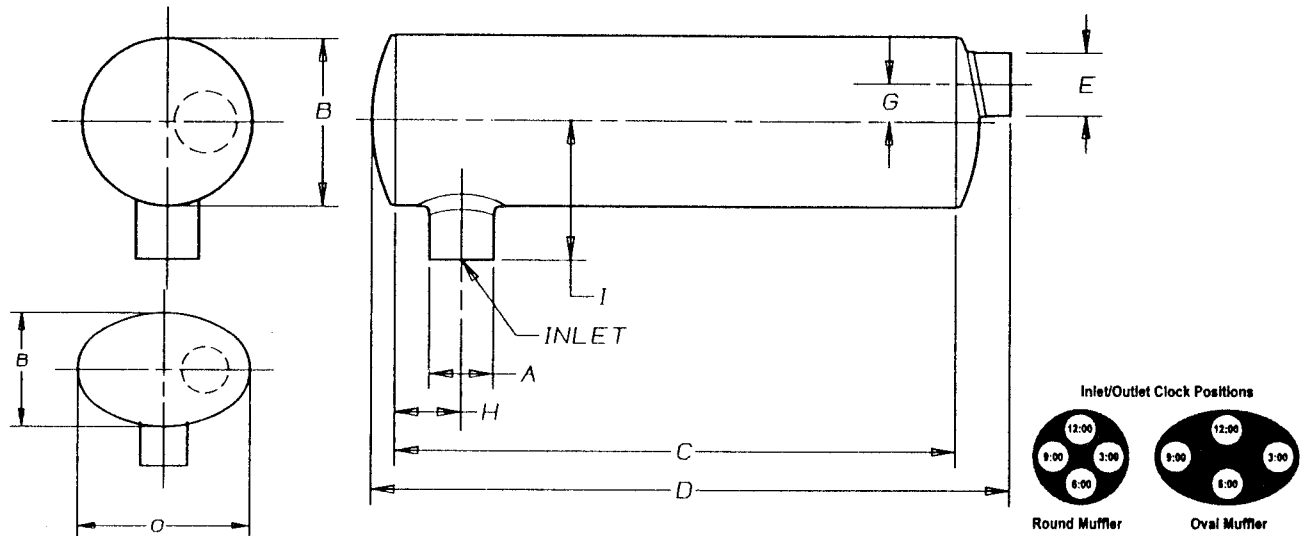
SPECIFICATIONS BY STYLE AND INLET

style 2a

H.D. PART NO.	INLET I.D. A	BODY DIA B	SHELL C	OVERALL D	OUTLET I.D. E	OFFSET		INLET TUBE LENGTH J	CLOCK POSITION	
						INLET F	OUTLET G		INLET	OUTLET
31223	2.5 (2)	8.50	30.00	39.00	2.75	1.62	2.00	2.50	4 & 8	6:00
31308S	2.5 (2)	8.50	30.00	39.00	2.75	1.62	2.00	2.50	4 & 8	6:00
31212	2.5 (2)	8.50	31.25	36.25	3.00	1.62	2.00	2.50	4 & 8	12:00
31016	2.5 (2)	8.50	38.00	43.00	3.00	1.62	2.00	2.50	4 & 8	12:00
31267S	2.5(2)FLNG	8.73	30.00	38.97	2.98 OD	1.62	2.00	5.75&3.22	4 & 8	12:00
31226	2.75 (2)	8.25 X 11.5	27.00	32.75	4.00	4.00	2.50	2.63	CTR+9:00	9:00

Heavy Duty Manufacturing, Inc.

MUFFLER SPECIFICATIONS



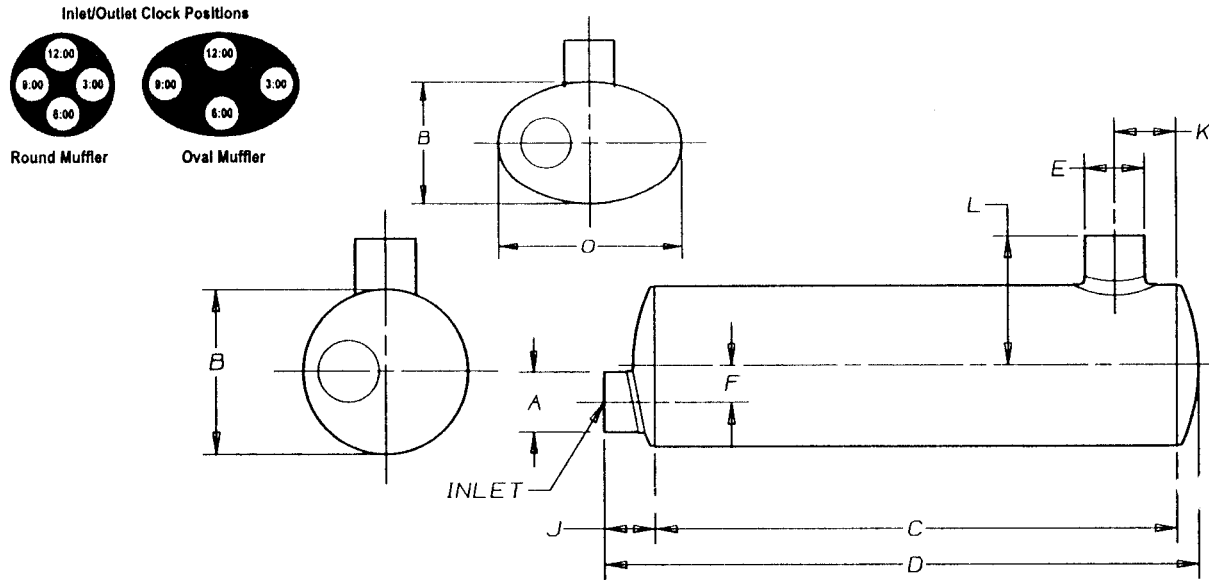
Specifications by Style and Inlet Size

style 3

H.D. PART NO.	INLET	BODY	SHELL C	OVERALL D	OUTLET	OFFSET OUTLET G	IN. TUBE		CLOCK POSITION	
	I.D. A	DIA B			I.D. E		LOC. H	LENGTH I	INLET	OUTLET
31075	1.68	4.38	13.50	15.78	1.65		2.75	4.00	6:00	
31080	2.00	6.00	18.81	21.50	2.00	1.50	3.50	5.00	6:00	9:00
31254	2.22	4.38	19.50	36.75	2 OD		1.75	5.44	6:00	
31327W	2.41	10.43	34.36	37.36	3.00		4.68	9.00	OFF 3	
31081	2.50	6.62	20.81	23.50	2.50	1.62	3.50	6.00	6:00	9:00
31102	3.00	8.50	26.25	29.50	3.00	2.00	3.50	6.75	6:00	9:00
31584	3.50	8.50	27.00	29.50	3.00	2.00	4.50	7.25	6:00	9:00
31136	3.50	8.25 X 11.5	26.12	29.25	3.50	2.50	3.25	7.00	6:00	9:00
31388	4.00	8.25 X 11.5	28.56	31.16	4.00	2.50	5.28	6.25	9:00	3:00
31808	4.00	9.00	42.00	45.00	4.00		4.25	7.50	6:00	
31083	4.00	9.00	44.50	48.00	5.00		3.81	6.69	6:00	12:00
31142	4.00	10.12	28.00	32.25	4.00	2.44	4.50	8.00	6:00	9:00
31202	4.00	10 X 15	15.00	21.57	3.85 OD	4.40	3.25	10.80	3:00	3:00
31566	4.00	10 X 15	21.00	25.25	5.00	4.25	3.13	10.80	3:00	3:00
31479	4.00	11.09	36.00	39.00	4.00	2.50	4.25	8.64	6:00	3:00
31480	4.00	11.09	36.00	44.59	4 O.D	2.50	3.75	8.64	9:00	12:00
31150	5.00	10.08	44.50	48.25	5.00		5.50	7.50	6:00	
31191	5.00	10 X 15	35.88	40.00	5.00	3.12	6.00	8.00	6:00	9:00

Heavy Duty Manufacturing, Inc.

MUFFLER SPECIFICATIONS



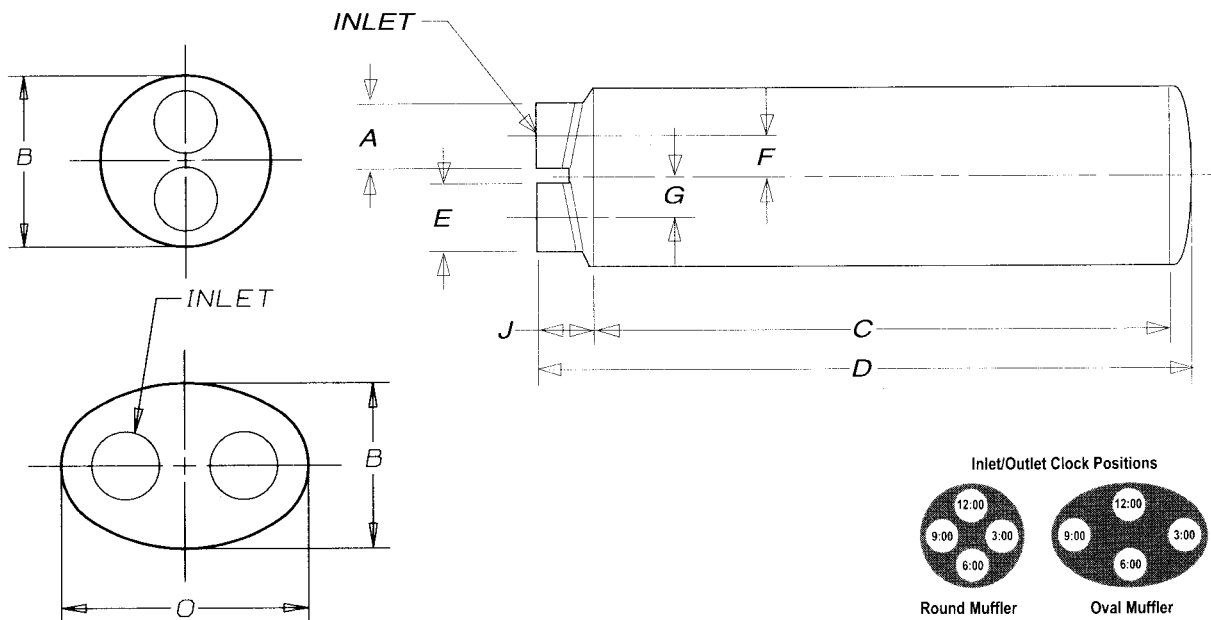
SPECIFICATIONS BY STYLE AND INLET

style 4

H.D. PART NO.	INLET I.D. A	BODY DIA B	SHELL C	OVERALL D	OUTLET I.D. E	OFFSET INLET F	INLET TUBE LENGTH J	FROM END CENTER		CLOCK POSITION	
								K	L	INLET	OUTLET
31235	2.00	6.00	18.81	21.50	2.00	1.50	2.69	3.50	5.00	9:00	12:00
31236	2.50	6.62	20.81	24.45	2.50	1.62	2.69	3.50	6.00	9:00	12:00
31237	3.00	8.50	26.50	29.50	3.00	2.00	3.25	3.50	6.75	9:00	12:00
31214	3.50	8.25 X 11.5	32.56	35.16	4.00	2.50	2.60	20.48	6.42	3:00	1:00
31215	3.50	8.25 X 11.5	32.56	35.16	4.00 OD	2.50	2.60	20.48	9.25	3:00	6:30
31238	3.50	8.25 X 11.5	26.00	29.25	3.50	2.50	3.12	3.38	7.00	9:00	12:00
31133	4.00	8.25 X 11.5	26.00	29.88	4.00	2.50	3.88	15.20	6.00	9:00	5:30
31139	4.00	10.12	27.75	31.00	4.00	2.44	3.00	24.25	8.75	4:00	12:00
31173	4.00	10 X 15	21.88	24.88	4.00	4.25	2.88	7.25	9.80	9:00	3:00
31186	4.00	10.3 X 15.3	36.12	39.12	4.00	4.25	3.00	3.94	8.50	9:00	11:00
31217	4.00	10.3 X 15.3	43.19	48.98	4.00	4.25	4.50	37.94	9.50	9:00	3:00
31232	4.00	11.09	30.00	33.25	4.00	2.50	3.00	4.25	9.00	12:00	10:00
31233	4.00	11.09	36.00	39.25	4.00	2.50	3.00	4.25	9.00	12:00	10:00
31239	4.00	10.12	28.00	32.25	4.00	2.44	4.00	4.25	8.00	3:00	6:00
31367	4.00	10 X 15	30.38	34.00	4.00	4.25	3.50	22.87	10.50	9:00	3:00
31218	5.00	10 X 15	36.00	39.25	5.00	3.12	3.12	28.50	9.50	9:00	3:00
31231	5.00	11.09	46.00	51.75	5.00	2.50	4.25	38.50	8.50	12:00	6:00
31240	5.00	10 X 15	28.00	32.12	5.00	3.12	4.00	4.75	8.00	9:00	12:00

Heavy Duty Manufacturing, Inc.

MUFFLER SPECIFICATIONS



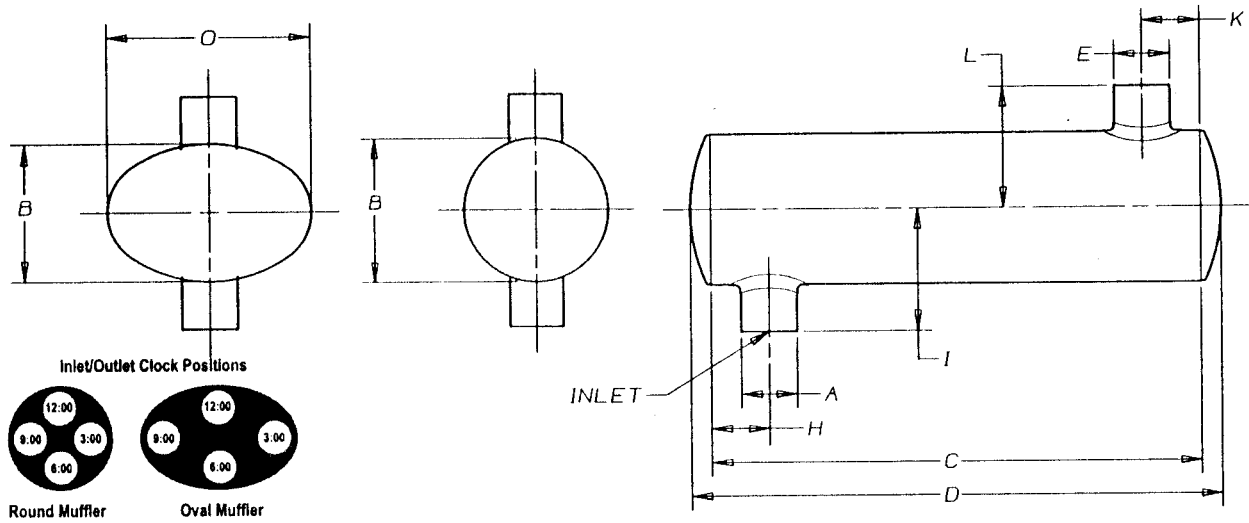
SPECIFICATIONS BY STYLE AND INLET

style 5

H.D. PART NO.	INLET I.D. A	BODY DIA B	SHELL C	OVERALL D	OUTLET I.D. E	OFFSET		INLET TUBE LENGTH J	CLOCK POSITION	
						INLET F	OUTLET G		INLET	OUTLET
31241	2.00	6.00	16.90	19.40	2.00	1.50	1.50	2.50	6:00	12:00
31242	2.50	6.62	20.00	21.50	2.50	1.62	1.62	1.50	6:00	12:00
31243	3.00	8.50	22.00	23.50	3.00	2.00	2.00	1.50	6:00	12:00
31244	3.50	8.25 X 11.5	22.00	25.12	3.50	2.50	2.50	3.12	9:00	3:00
31032	4.00	10.08	27.75	30.88	4.00	2.44	2.44	2.88	6:00	12:00
31179	4.00	10 X 15	26.00	28.38	4.00	4.25	4.25	3.00	9:00	3:00
31183	4.00	10.3 X 15.3	36.12	39.12	4.00	0.50	4.25	3.00		3:00
31181	5.00	10 X 15	26.00	29.38	5.00	3.12	3.12	3.25	9:00	3:00
31200	5.00	10 X 15	26.00	29.38	5.00	3.12	3.12	3.25	9:00	3:00

Heavy Duty Manufacturing, Inc.

MUFFLER SPECIFICATIONS



SPECIFICATIONS BY STYLE AND INLET

style 6

H.D. PART NO.	INLET I.D. A	BODY DIA B	SHELL C	OVERALL D	OUTLET I.D. E	IN. TUBE		FROM END CENTER		CLOCK POSITION	
						LOC. H	LENGTH I	K	L	INLET	OUTLET
31245	2.00	6.00	18.81	18.81	2.00	3.50	5.00	3.50	5.00	6:00	12:00
31246	2.50	6.62	20.81	20.81	2.50	3.50	6.00	3.50	6.00	6:00	12:00
31247	3.00	8.50	27.00	27.00	3.00	3.50	6.75	3.50	6.75	6:00	12:00
31248	3.50	8.25 X 11.5	26.00	26.00	3.50	3.38	7.00	3.38	7.00	6:00	12:00
31249	4.00	10.12	28.00	30.62	4.00	4.50	8.00	4.50	8.00	6:00	12:00
31481	4.00	11.09	36.00	36.18	4.00	4.25	8.64	17.25	8.64	12:00	10:00
31482	4.00	11.09	36.00	36.18	4 OD	4.25	8.64	13.50	9.50	12:00	2:00
31483	4.00	11.09	36.00	36.18	4 OD	3.75	8.64	7.34	9.50	12:00	9:00
31250	5.00	10 X 15	28.00	28.25	5.00	5.00	8.00	5.00	8.00	6:00	12:00

Heavy Duty Manufacturing, Inc.

MUFFLER SPECIFICATIONS

Resonators

- Provides an additional 3 to 6 dBA exhaust noise reduction.
- Install in exhaust pipe or before muffler.
- Straight through design does not increase backpressure.
- Aluminized steel.
- Both ends I.D.

HD PART NUMBER	INLET I.D. A	BODY DIA B	SHELL C	OVERALL D	OUTLET I.D. E
31109	4.00	9.00	10.00	16.50	4.00
31024	5.00	9.00	10.00	16.50	5.00

Spark Arrestors

- Tested and U.S. Forest Service approved for vertical and horizontal installations.
- Reduces fire hazard - 95% or greater efficiency on incendiary sparks.
- Centrifugal force separates solids from exhaust gas.
- Aluminized steel with stainless steel critical parts.

part number	INLET I.D. A	BODY DIA B	SHELL C	OVERALL D	OUTLET I.D. E
SA-300	3.00	7.00	7.63	14.63	3.00
SA-350	3.50	7.00	9.00	16.50	3.50
SA-400	4.00	8.00	10.63	18.13	4.00
SA-500	5.00	9.00	11.75	20.75	5.00

Heavy Duty Manufacturing, Inc.

MUFFLER SPECIFICATIONS

MUFFLERS

Series - HD

For Gas and Diesel Application

H.D. PART NO.	STYLE	INLET I.D. A	BODY DIA B	SHELL C	OVERALL D	OUTLET I.D. E	LENGTH J
HD-225	1	2.25	6.00	20.00	30.75	2.25	5.00
HD-250	1	2.50	6.00	20.00	30.00	2.50	5.00
HD-300-39	1	3.00	7.00	29.00	39.00	3.00	5.00
HD-300	1	3.00	6.00	20.00	30.00	3.00	5.00
HD-350	1	3.50	7.00	28.00	38.00	3.50	5.00
HD-400	1	4.00	7.00	28.00	38.00	4.00	5.00
HD-414	1	4.00	9.00	20.00	26.50	4.00	3.00
HD-416	4	4.00	8 X 11	18.50	22.00	4.00	3.50
HD-501	1	5.00	9.00	32.50	40.00	5.00	3.75

MOST POPULAR MUFFLERS

PART NO.	STYLE	INLET I.D. A	BODY DIA B	SHELL C	OVERALL D	OUTLET E
31020	1	4.00	9.00	44.50	51.00	4.00
31021	1	5.00	9.00	44.50	51.00	5.00
31024	1	5.00	9.00	10.00	16.50	5.00
31045	1	4.00	10.08	44.50	51.00	5.00
31096	1	4.00	8.50	34.38	40.00	4.00
31165	1	5.00	10.08	44.50	51.00	5.00
31514	1	4.00	9.00	44.50	51.00	5.00

Heavy Duty Manufacturing, Inc.

MUFFLER CROSS REFERENCE

MUFFLER CROSS REFERENCE

<u>DONALDSON</u>	<u>NELSON</u>	<u>STEMCO</u>	<u>HEAVY DUTY</u>
M100465	86130M	190-1107	31165
M090074	86132M	190-9327	31021
M085171	86127M	190-9234	31096
M090072	86145M	190-9310	31024
M090544	86131M	190-9300	31020
M090545	86514M	190-9377	31514
M100695	86535M	190-1205	31045
M120100	86125M	190-9400	31036
M120108	86147M	190-9401	31037
M090362	86144M	190-9303	31109
M100466	86544M	190-1187	31164
M090280	86153M	190-1157	31123
M100213	86526M		31150
M120382	86149M		31202
M065065	86137M	190-9007	31004
M085008			31018
M090146	86113M	190-9341	31025
M070028	86150M	190-9122	31085
M090595			31253
M085080			31019
M085023	86139M	190-9208	31015
M090535	86102M		31023
M100048	86168M	190-9887	31031
M120365	86117M	190-9926	31035
M100463	86170M	190-9872	31063
M085090	86192M		31102
M085056	86119M	190-9210	31104
M090538	86213M	190-9542	31127
M090295	86597M		31133
M090301	86193M	190-9526	31136
M100052	86151M		31139
M100146	86563M	190-9860	31142
M100104	86111M	190-9338	31148
M120154	86115M	190-1934	31179
M090547	86537M		31214
M110012	86500M		31230
M090594	86560M	190-9316	31252
M120566	86542M		30566
M090781			30781
M090158	86106M	190-1160	31026
M100049	86133M	190-9855	31032

Heavy Duty Manufacturing, Inc.

MUFFLER CROSS REFERENCE

MUFFLER CROSS REFERENCE (CONT.)

<u>DONALDSON</u>	<u>NELSON</u>	<u>STEMCO</u>	<u>HEAVY DUTY</u>
M100463			31224
M090520	86512M	190-9532	31227
M110015	86501M		31232
M060249			31235
M065072			31236
M085206			31237
M090596			31238
M120417			31240
M065073			31242
M085207			31243
M090597			31244
M060251			31245
M065074			31246
M100572			31249
M090594	86560M		31252
M090595			31253
M090158	86106M		31026
M045237	86177M		31074
M045239			31254
M060055		190-9057	31082
M060187			31003
M065044			31081
M065071	86178M		31076
M070094		190-9362	31094
M070185	86164M	190-9170	31001
M070228	86141M		31009
	86108M	190-9336	31022
M060212	86142M	190-9008	31219
M060232	86136M	190-9006	31002
M090563	86185M	190-9247	31226



**1605 Indian Brook Way, Suite 500
Norcross, GA 30093
Phone: 800-241-0551
Fax: 770-806-8801**

QUALITY EXHAUST COMPONENTS FOR THE HEAVY DUTY INDUSTRY

**STACK PIPES
ELBOWS
FLEX-TUBING
CLAMPS
AIR INTAKE PARTS
SILICONE HOSE
MUFFLERS
O.E.M. REPLACEMENT PARTS**

VISIT OUR WEBSITE AT WWW.HEAVYDUTYMG.COM